

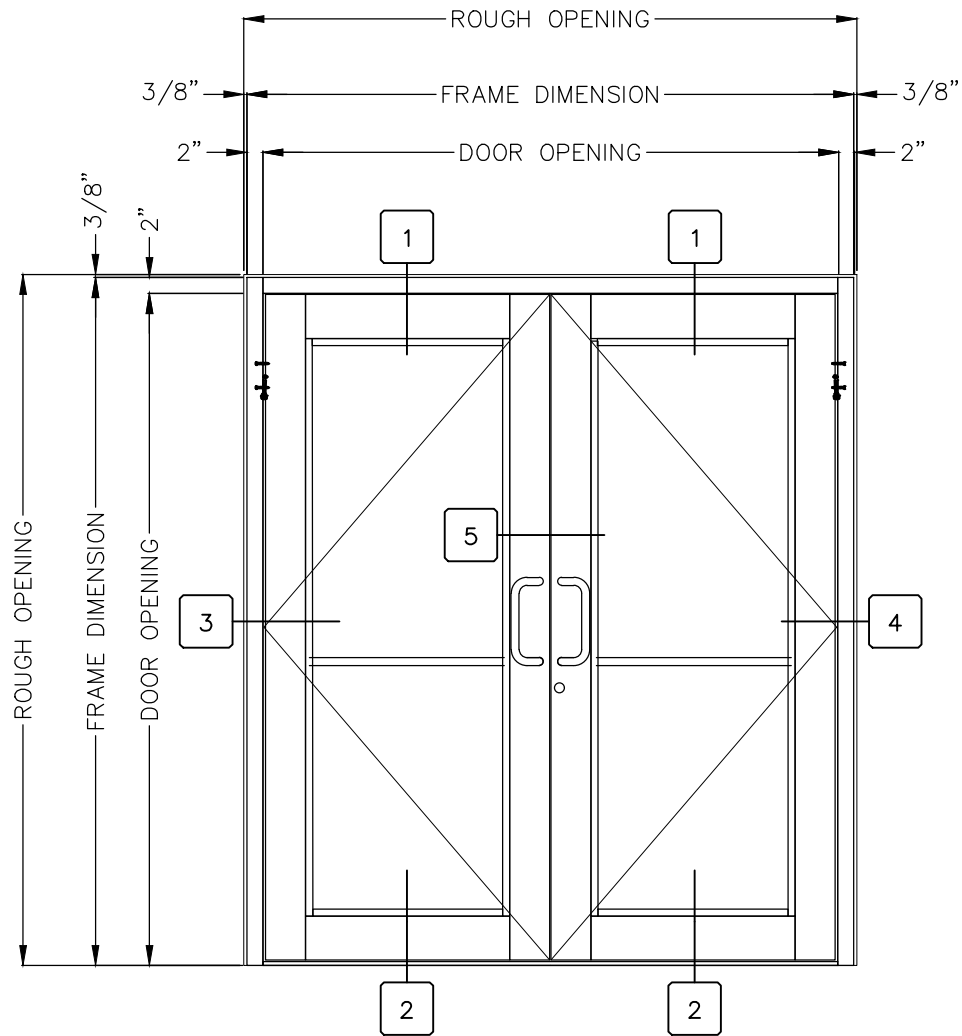
WIDE STILE

Let's Shine.

800.737.2800 • fax 417.862.1232 • BoydAluminum.com

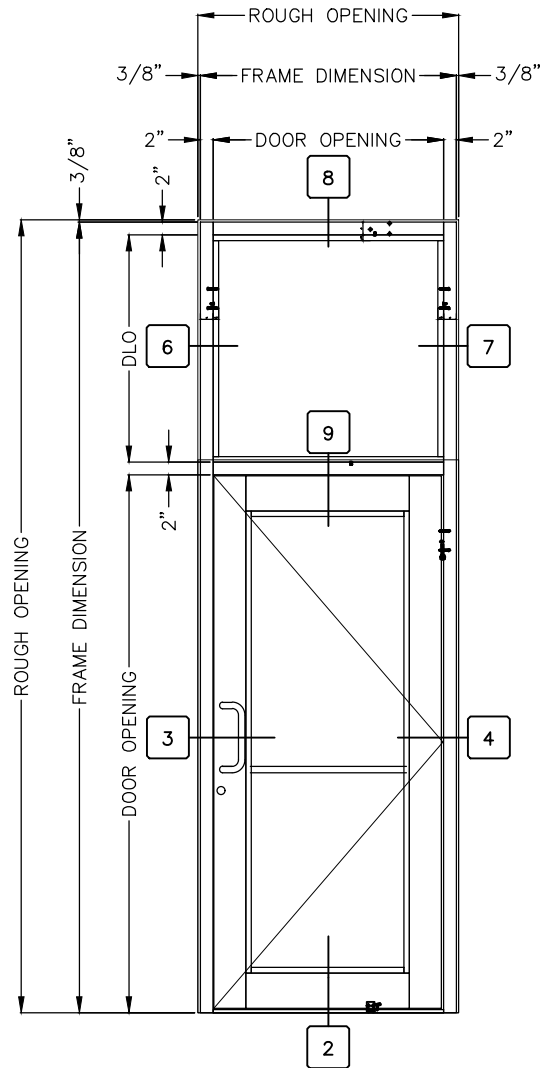
©2016 Boyd Aluminum Manufacturing. The Boyd sunburst and logotype are trademarks of Boyd Aluminum Manufacturing. All rights reserved. Due to continued product research, specifications are subject to change without notice.

E1
012326



WIDE STILE PAIR

Let's Shine.



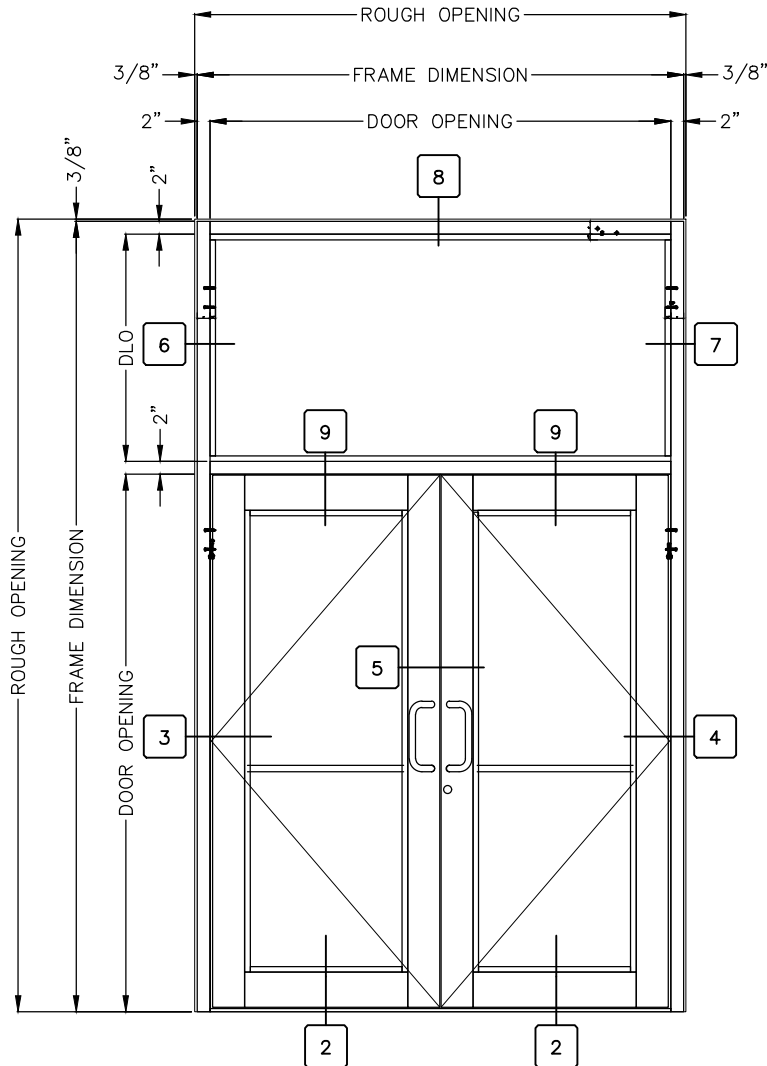
WIDE STILE W/ TRANSOM

Let's Shine.

800.737.2800 • fax 417.862.1232 • BoydAluminum.com

©2016 Boyd Aluminum Manufacturing. The Boyd sunburst and logotype are trademarks of Boyd Aluminum Manufacturing. All rights reserved. Due to continued product research, specification are subject to change without notice.

E3
012326

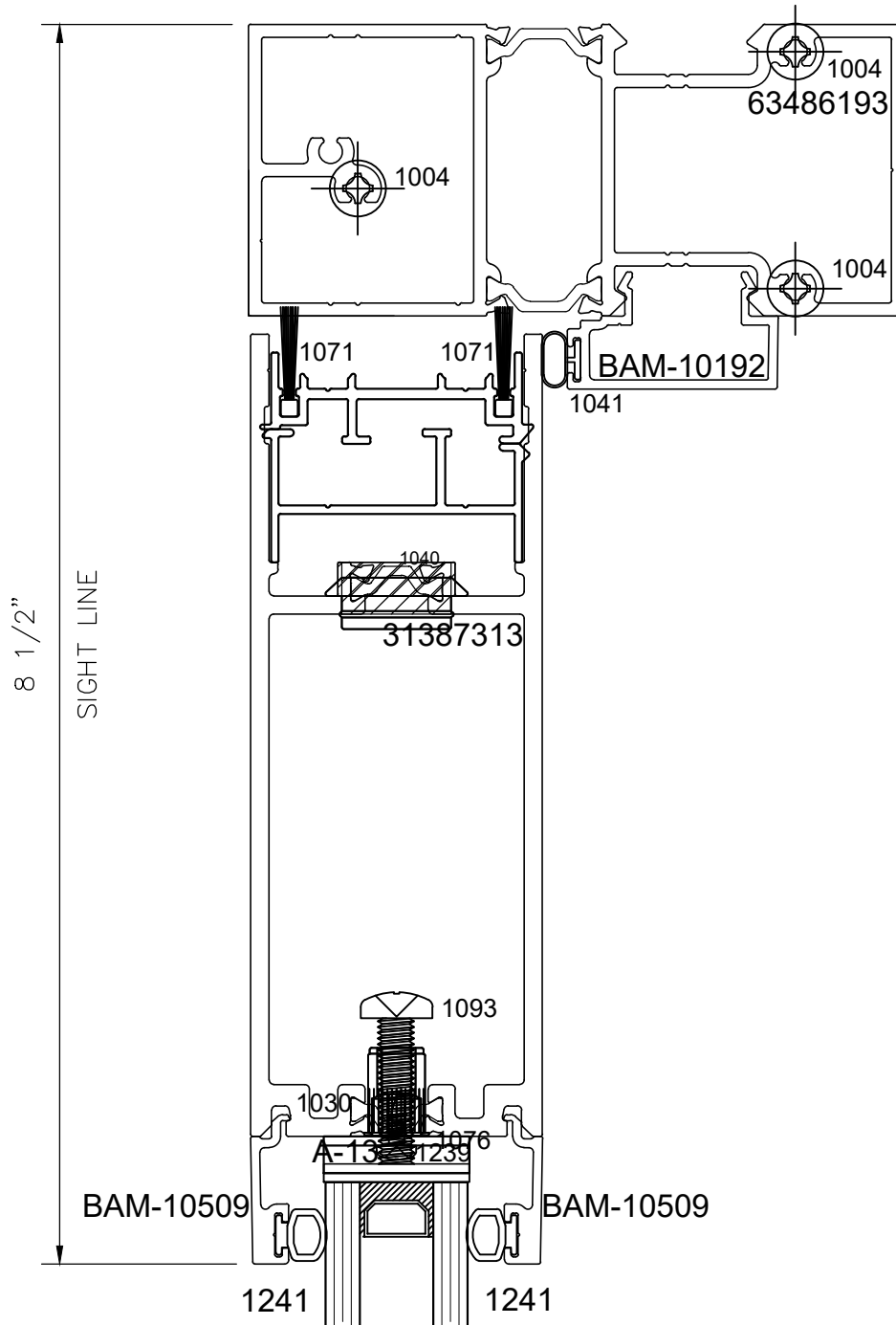


WIDE STILE PAIR W/ TRANSOM

Let's Shine.

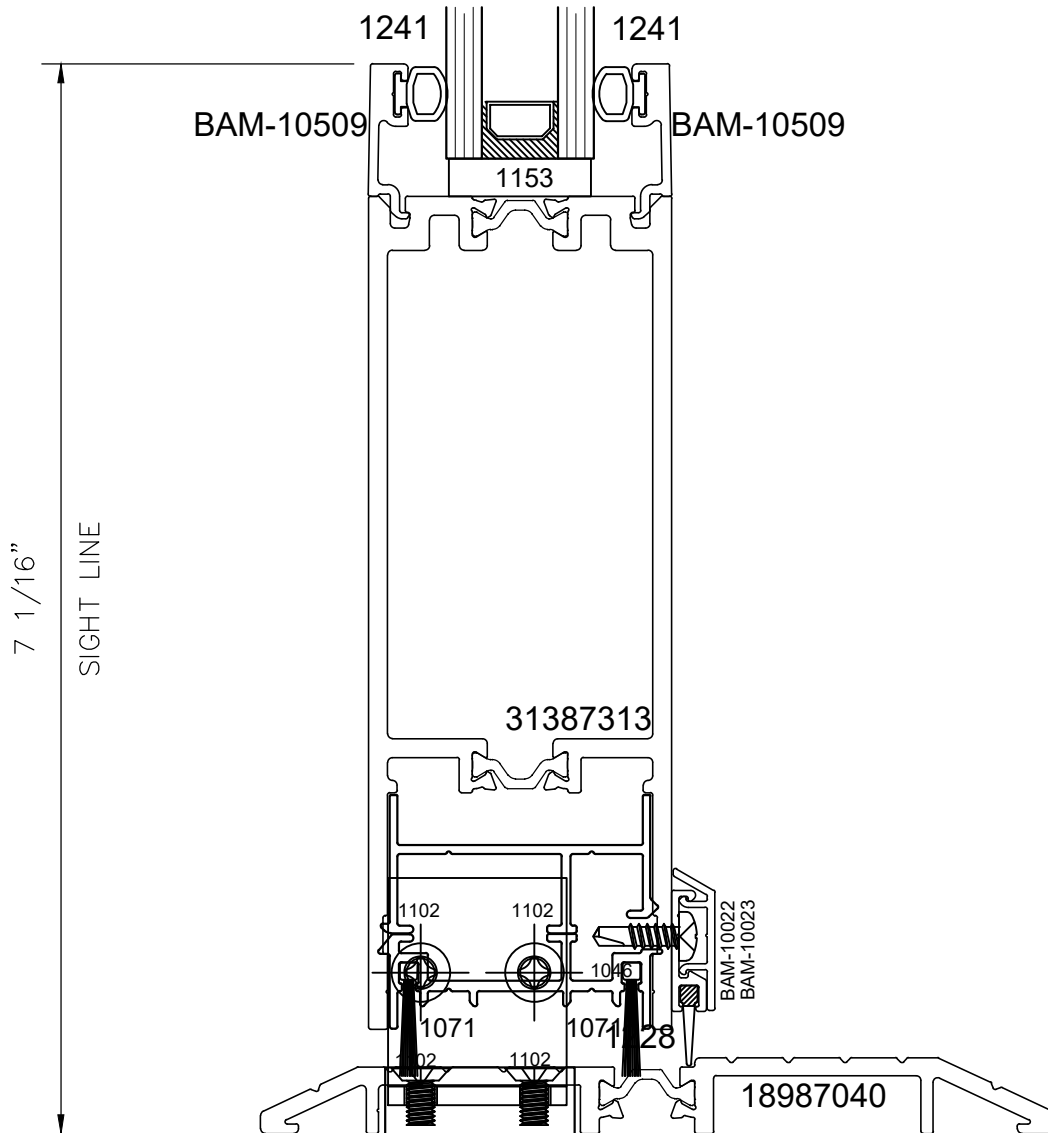
 800.737.2800 • fax 417.862.1232 • BoydAluminum.com

©2016 Boyd Aluminum Manufacturing. The Boyd sunburst and logotype are trademarks of Boyd Aluminum Manufacturing. All rights reserved. Due to continued product research, specifications are subject to change without notice.



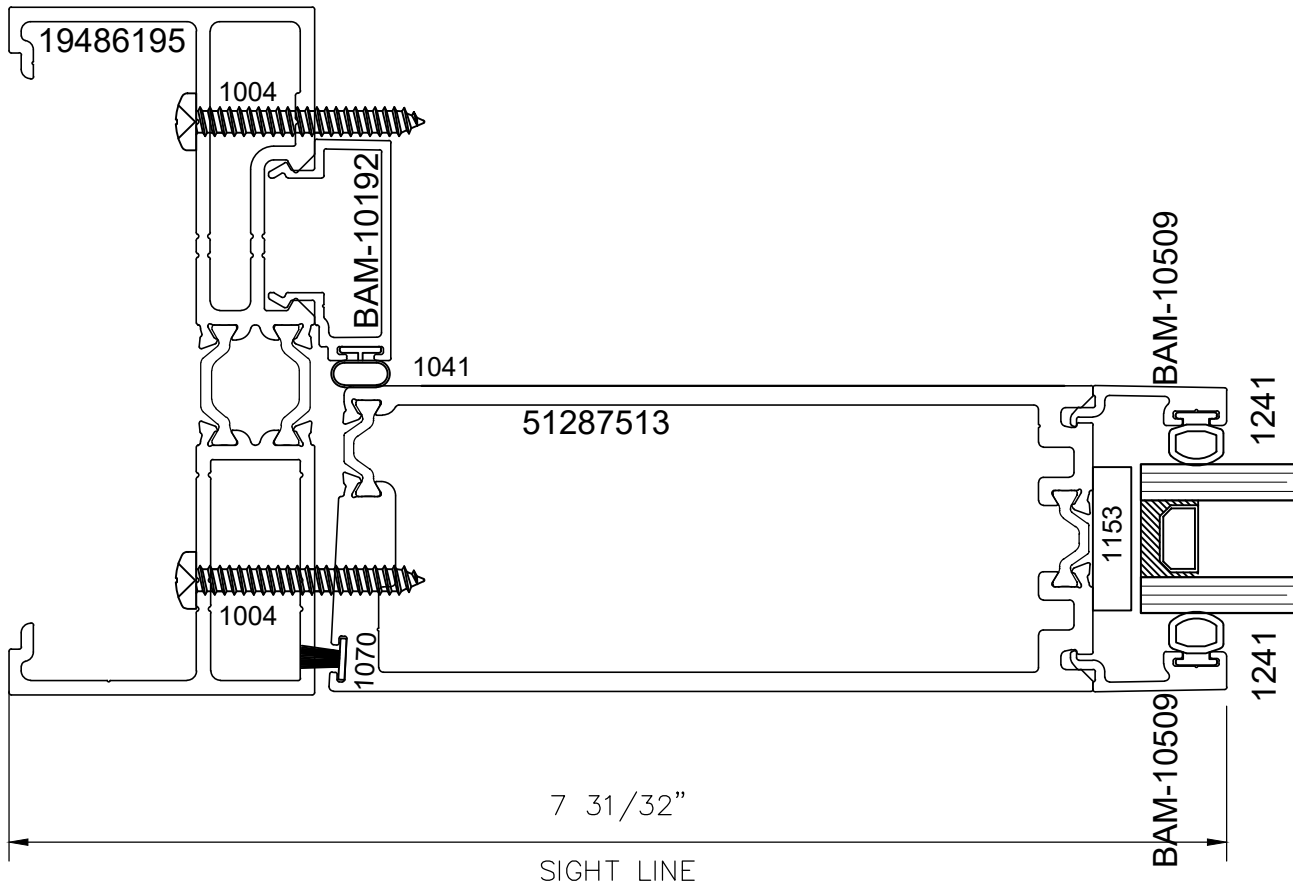
Let's Shine.

SCALE: 6" = 1'-0"



Let's Shine.

SCALE: 6" = 1'-0"



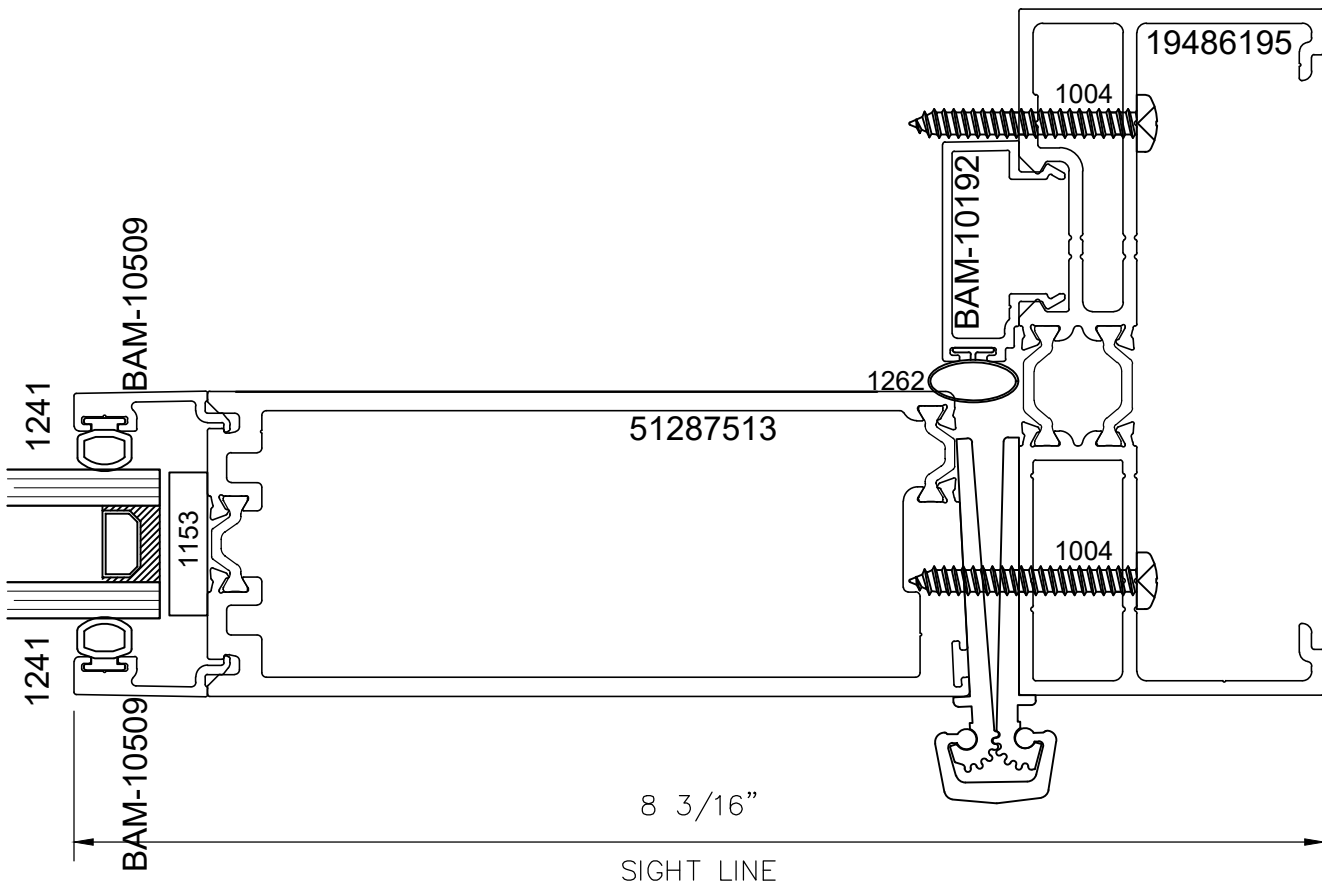
Let's Shine.

SCALE: 6" = 1'-0"

800.737.2800 • fax 417.862.1232 • BoydAluminum.com

©2016 Boyd Aluminum Manufacturing. The Boyd sunburst and logotype are trademarks of Boyd Aluminum Manufacturing. All rights reserved. Due to continued product research, specification are subject to change without notice.

D3
012326



Let's Shine.

SCALE: 6" = 1'-0"

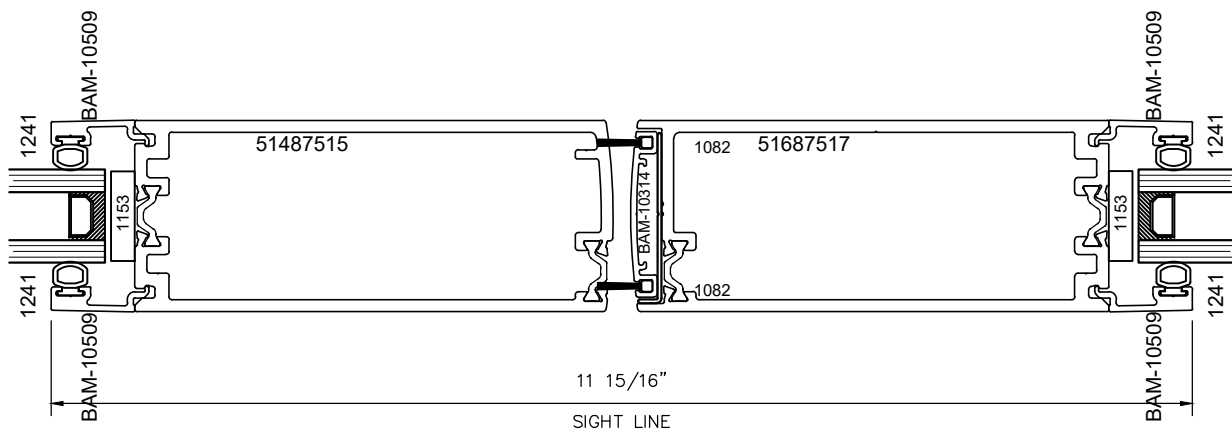
800.737.2800 • fax 417.862.1232 • BoydAluminum.com

©2016 Boyd Aluminum Manufacturing. The Boyd sunburst and logotype are trademarks of Boyd Aluminum Manufacturing. All rights reserved. Due to continued product research, specification are subject to change without notice.

D4
012326



Series D500XT
Storefront Entrance System



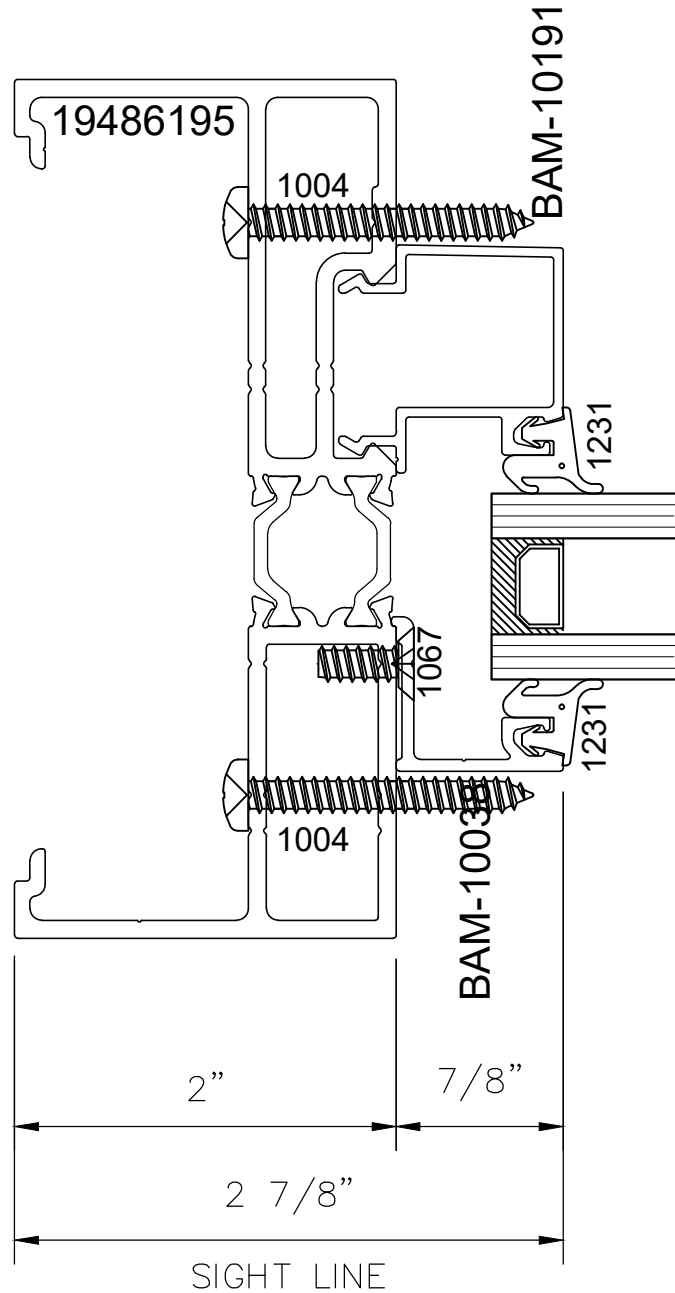
Let's Shine.

SCALE: 6" = 1'-0"

800.737.2800 • fax 417.862.1232 • BoydAluminum.com

©2016 Boyd Aluminum Manufacturing. The Boyd sunburst and logotype are trademarks of Boyd Aluminum Manufacturing. All rights reserved. Due to continued product research, specification are subject to change without notice.

D5
012326

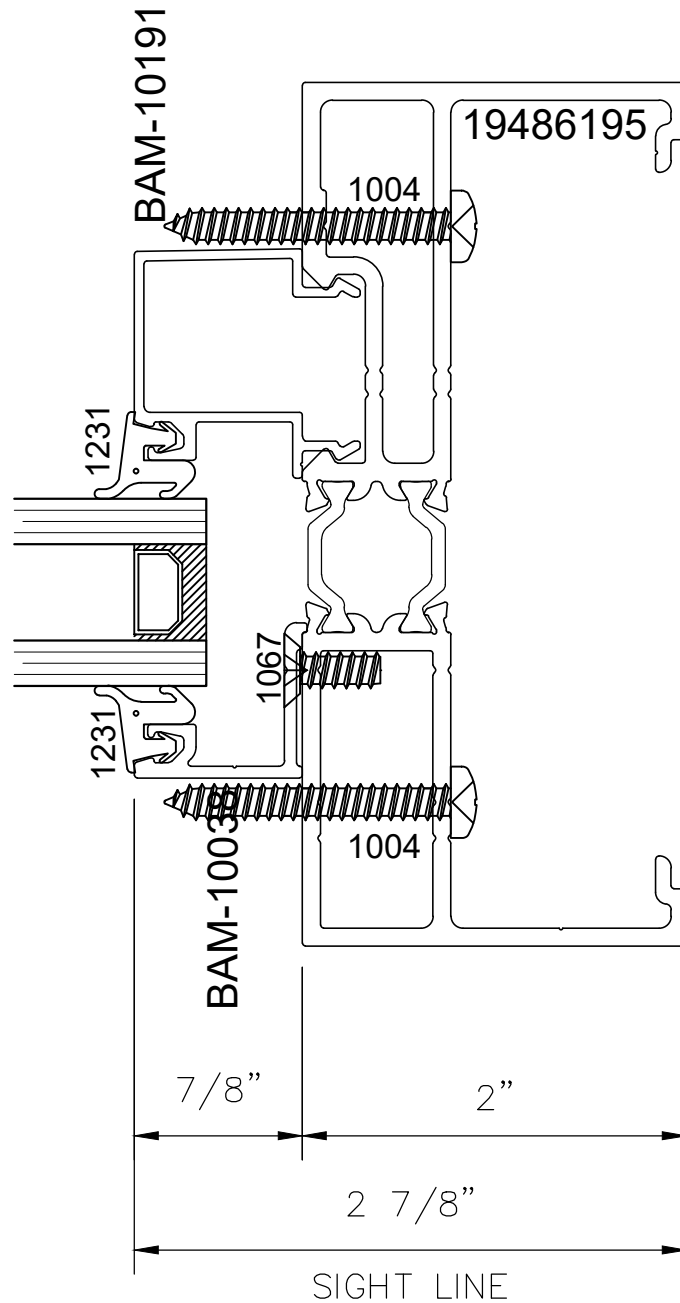


Let's Shine.

800.737.2800 • fax 417.862.1232 • BoydAluminum.com

©2016 Boyd Aluminum Manufacturing. The Boyd sunburst and logotype are trademarks of Boyd Aluminum Manufacturing. All rights reserved. Due to continued product research, specification are subject to change without notice.

D6
012326

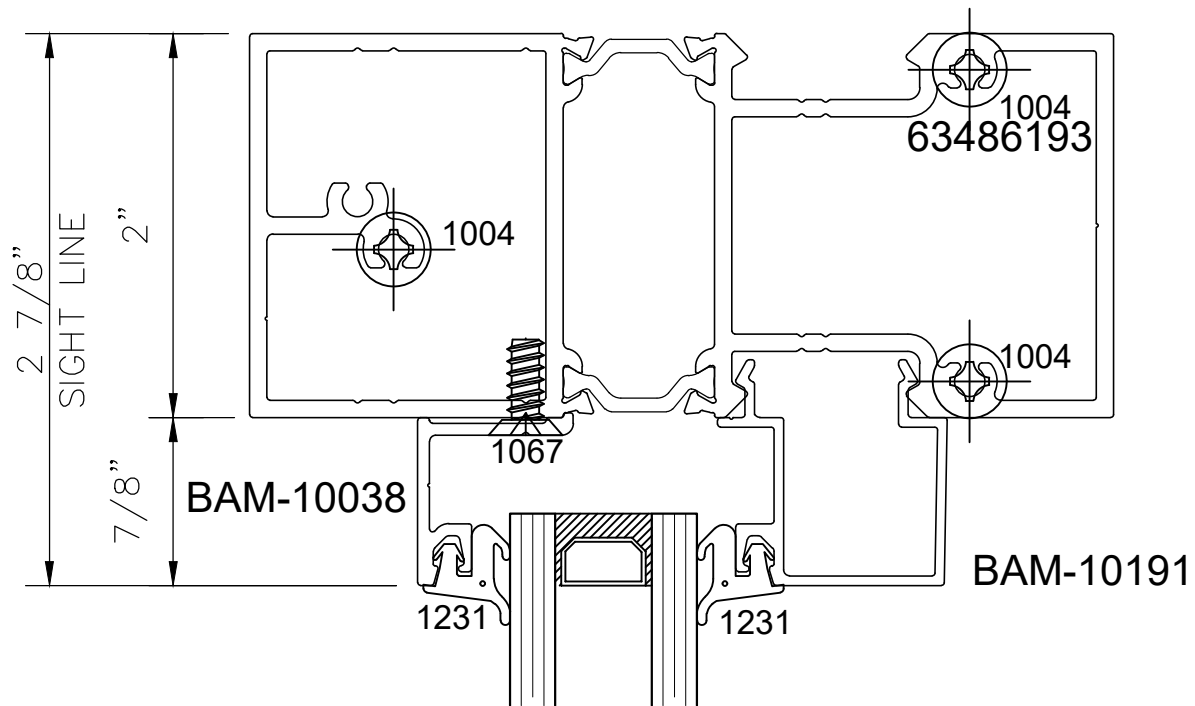


Let's Shine.

800.737.2800 • fax 417.862.1232 • BoydAluminum.com

©2016 Boyd Aluminum Manufacturing. The Boyd sunburst and logotype are trademarks of Boyd Aluminum Manufacturing. All rights reserved. Due to continued product research, specifications are subject to change without notice.

D7
012326

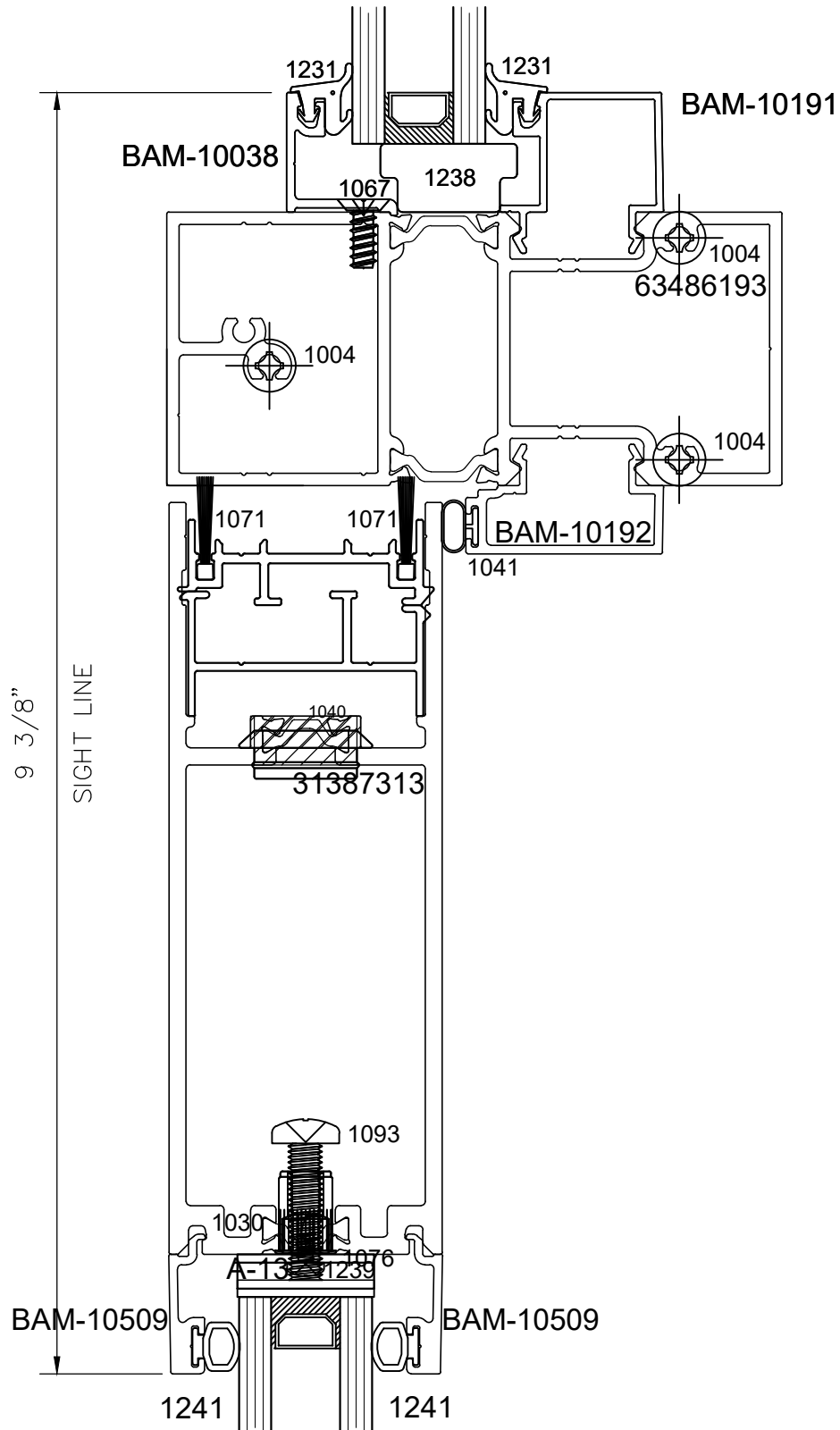


Let's Shine.

800.737.2800 • fax 417.862.1232 • BoydAluminum.com

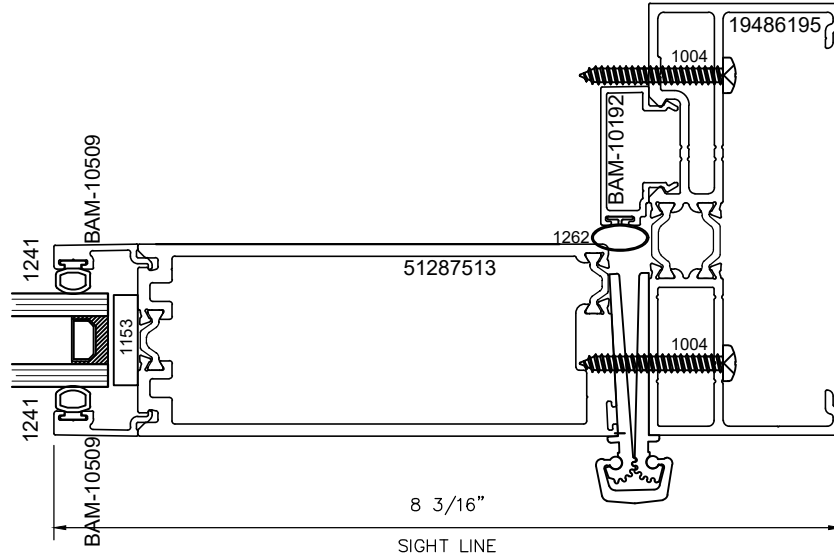
©2016 Boyd Aluminum Manufacturing. The Boyd sunburst and logotype are trademarks of Boyd Aluminum Manufacturing. All rights reserved. Due to continued product research, specification are subject to change without notice.

D8
012326

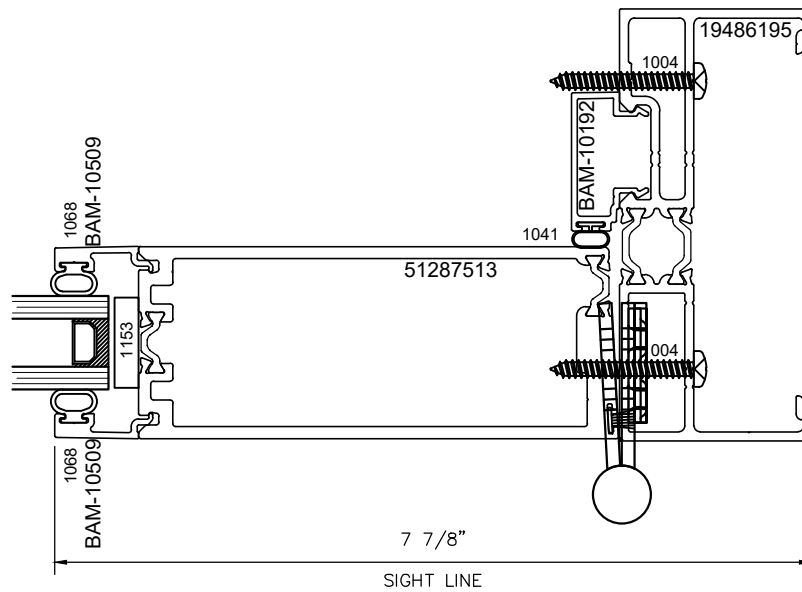


Let's Shine.

SCALE: 6" = 1'-0"



CONTINUOUS GEAR HINGE



OPTIONAL BUTT HINGE

Let's Shine.

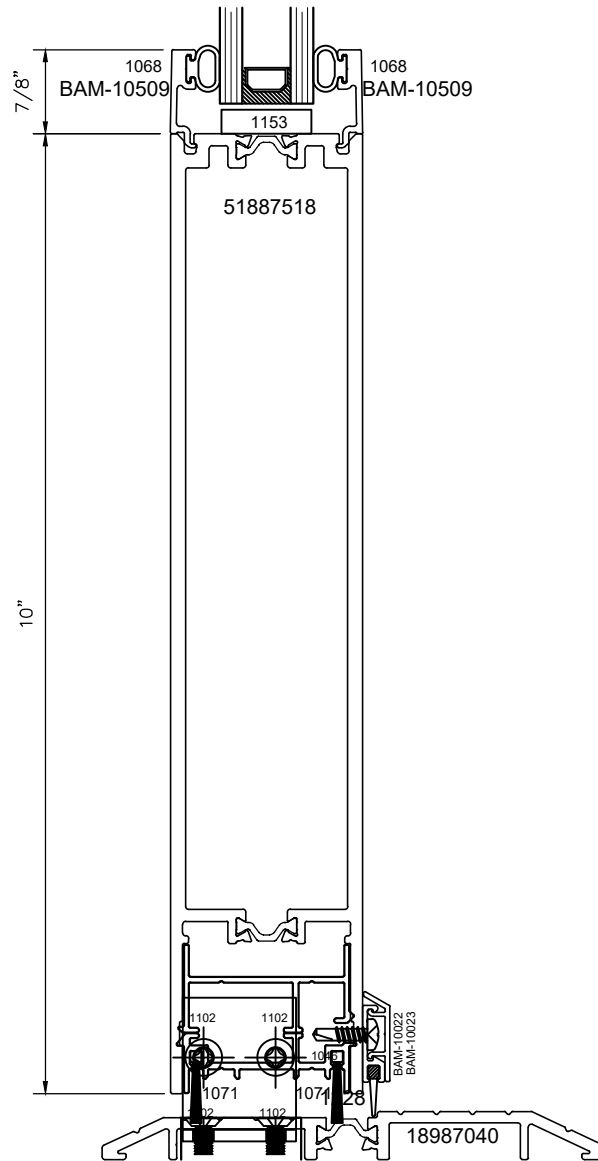
SCALE: 6" = 1'-0"

800.737.2800 • fax 417.862.1232 • BoydAluminum.com

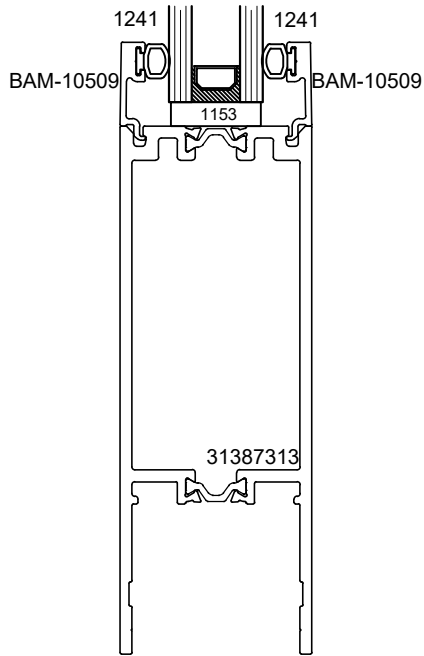
©2016 Boyd Aluminum Manufacturing. The Boyd sunburst and logotype are trademarks of Boyd Aluminum Manufacturing. All rights reserved. Due to continued product research, specification are subject to change without notice.

H1

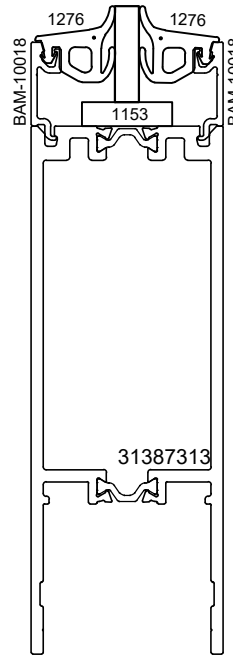
012326



10" BOTTOM RAIL



1" INSULATED GLASS



1/4" SINGLE GLAZED