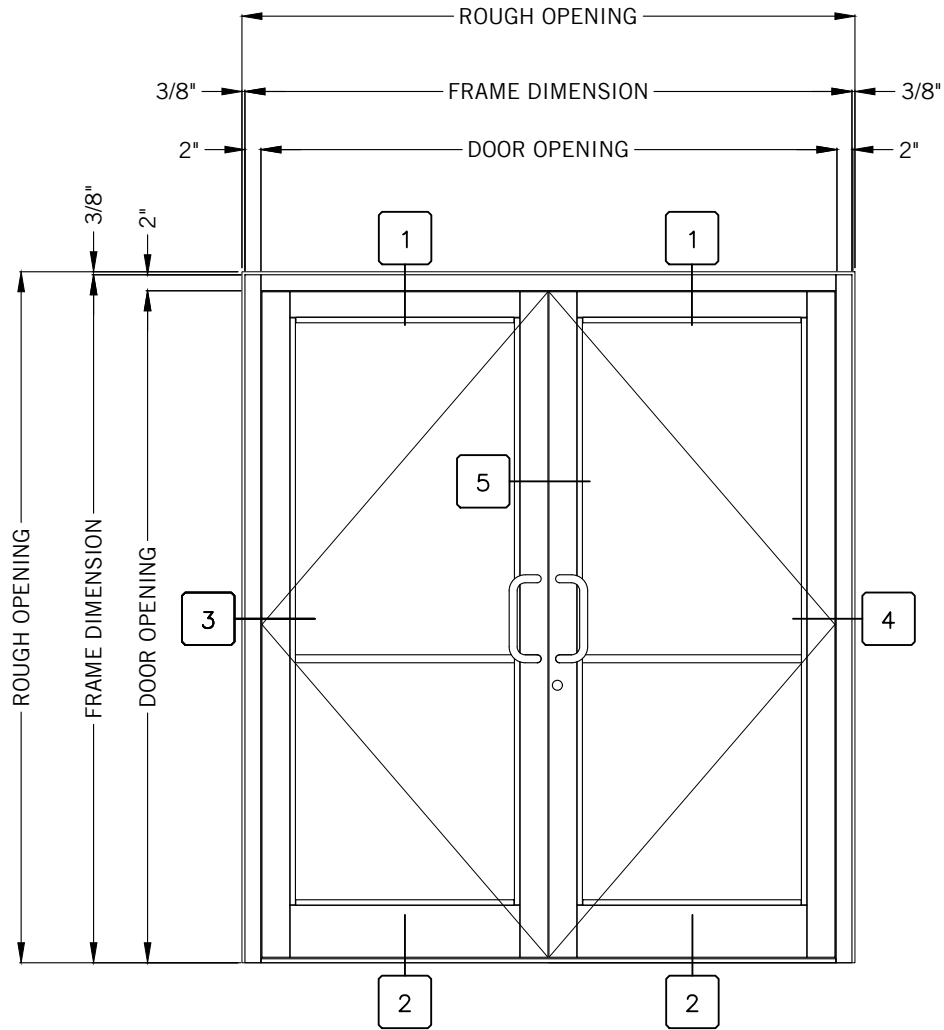


MED. STILE

Let's Shine.

800.737.2800 • fax 417.862.1232 • [BoydAluminum.com](http://BoydAluminum.com)

©2016 Boyd Aluminum Manufacturing. The Boyd sunburst and logotype are trademarks of Boyd Aluminum Manufacturing. All rights reserved. Due to continued product research, specifications are subject to change without notice.

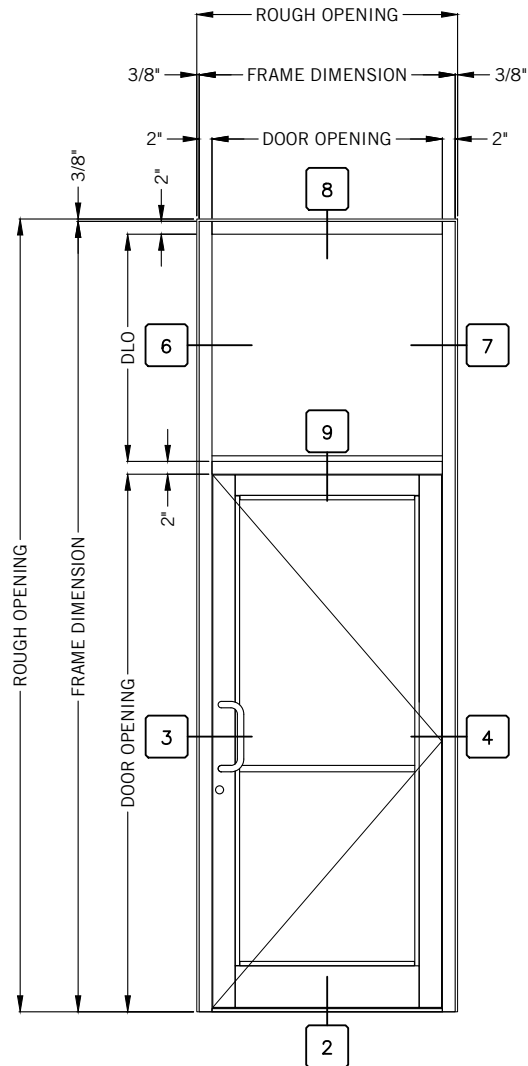


MED. STILE PAIR

Let's Shine.

800.737.2800 • fax 417.862.1232 • [BoydAluminum.com](http://BoydAluminum.com)

©2016 Boyd Aluminum Manufacturing. The Boyd sunburst and logotype are trademarks of Boyd Aluminum Manufacturing. All rights reserved. Due to continued product research, specifications are subject to change without notice.

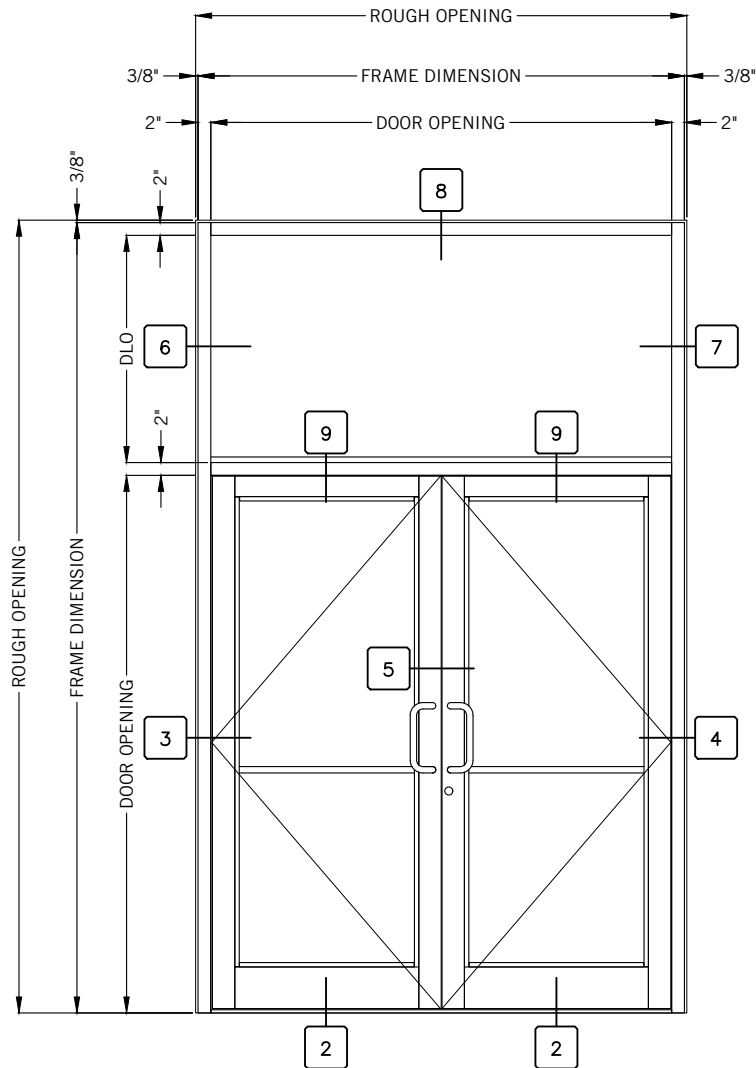


MED. STILE W/ TRANSOM

Let's Shine.

800.737.2800 • fax 417.862.1232 • [BoydAluminum.com](http://BoydAluminum.com)

©2016 Boyd Aluminum Manufacturing. The Boyd sunburst and logotype are trademarks of Boyd Aluminum Manufacturing. All rights reserved. Due to continued product research, specifications are subject to change without notice.

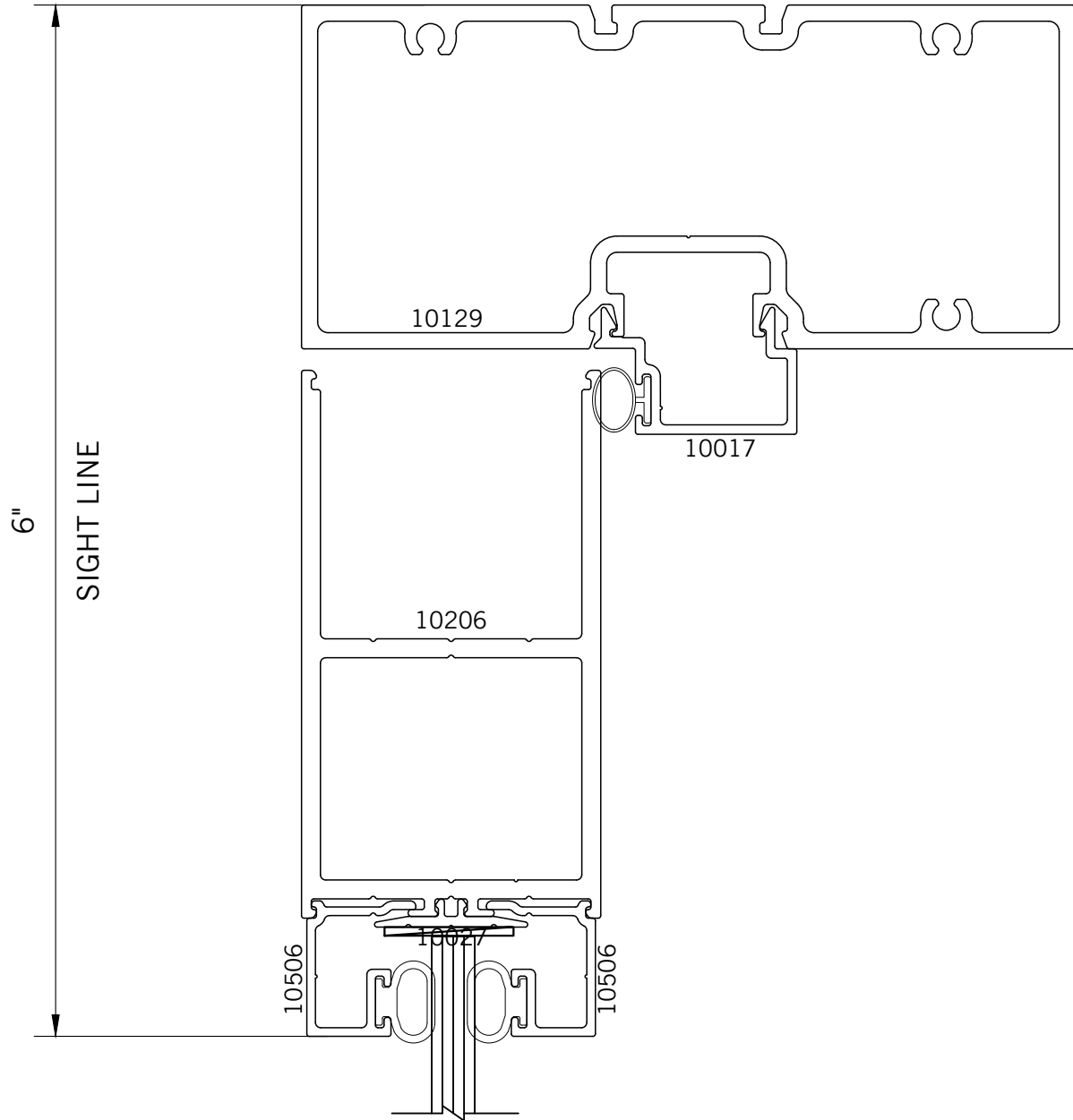


MED. STILE PAIR W/ TRANSOM

Let's Shine.

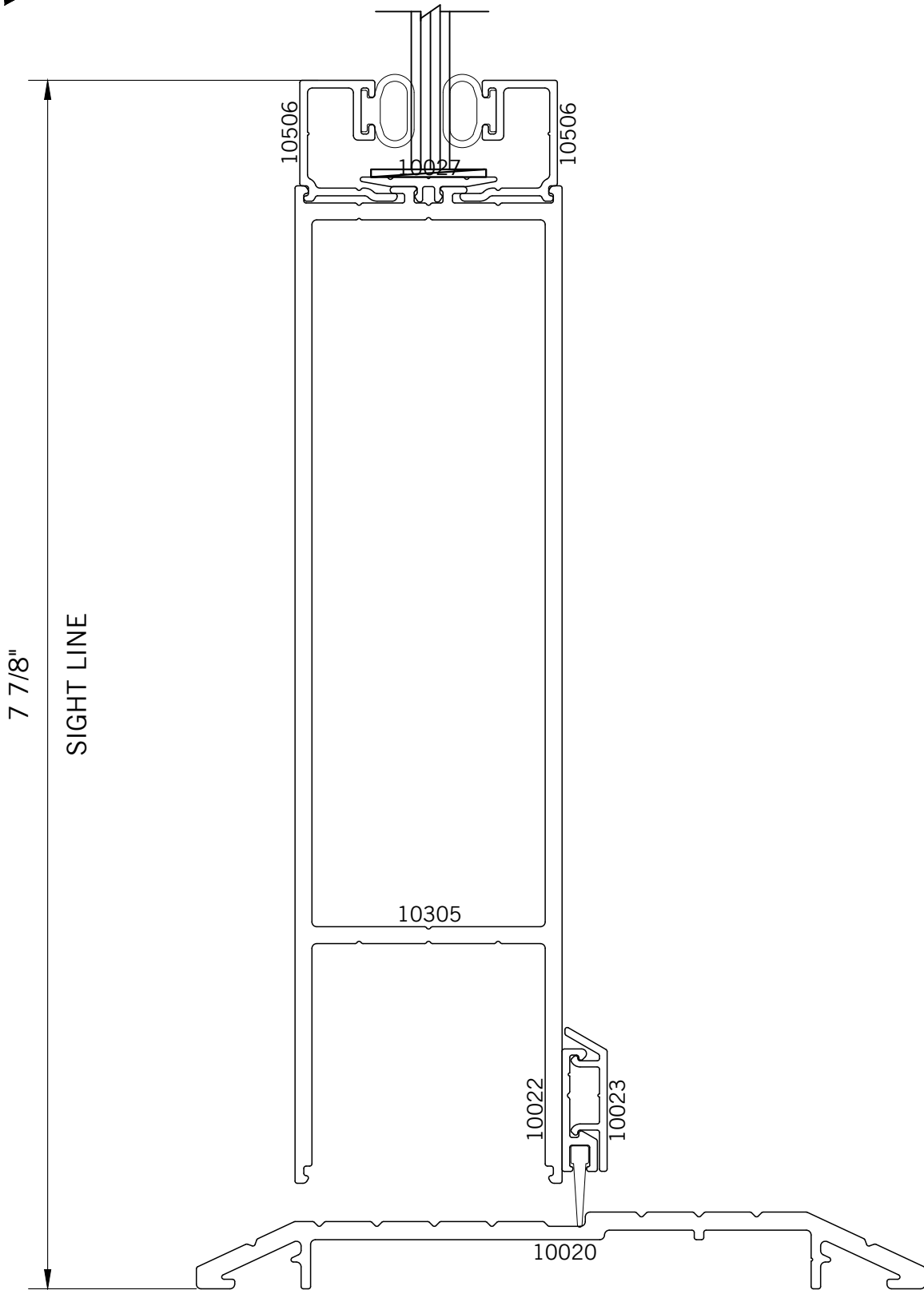
800.737.2800 • fax 417.862.1232 • [BoydAluminum.com](http://BoydAluminum.com)

©2016 Boyd Aluminum Manufacturing. The Boyd sunburst and logotype are trademarks of Boyd Aluminum Manufacturing. All rights reserved. Due to continued product research, specifications are subject to change without notice.

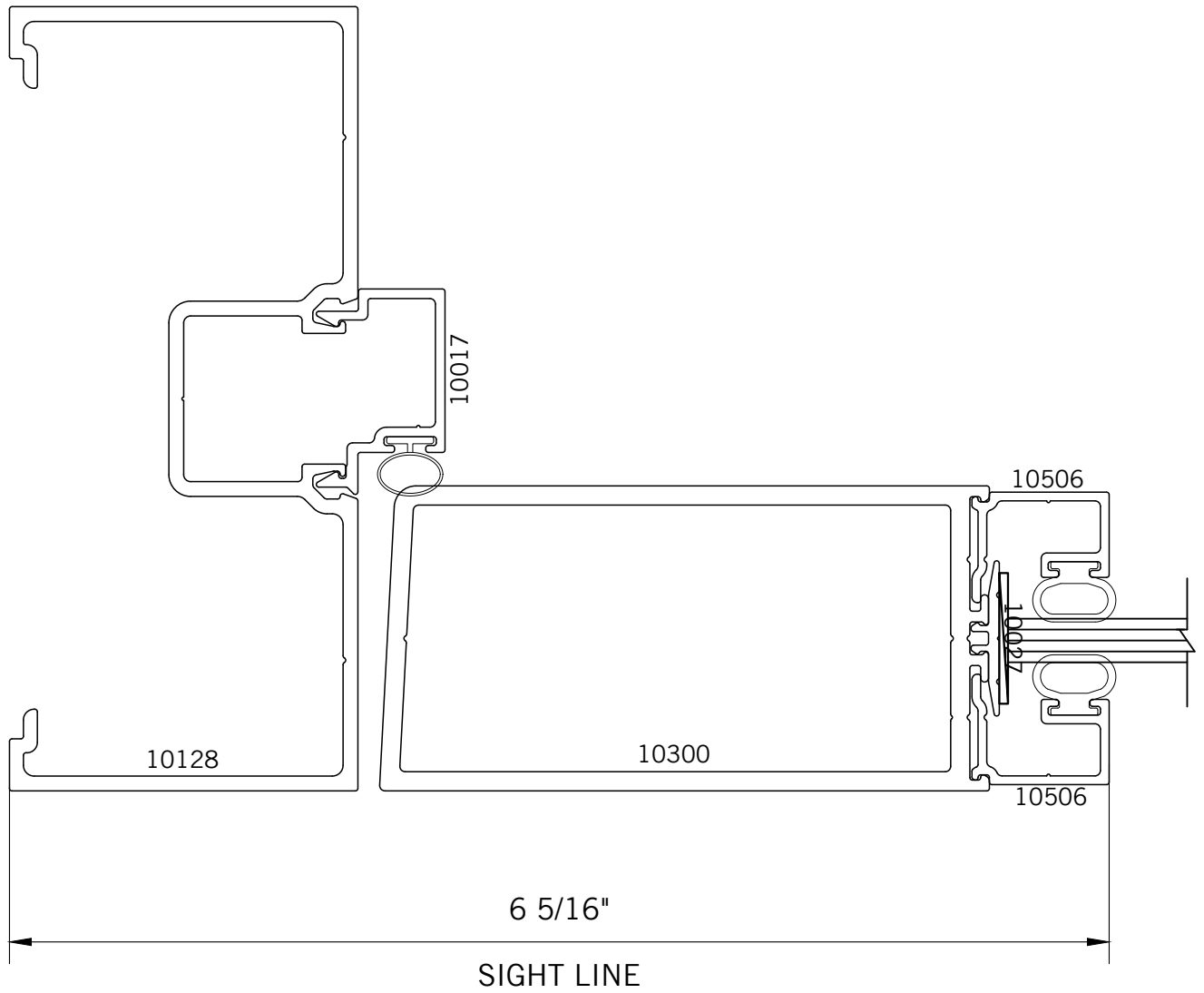


Let's Shine.

800.737.2800 • fax 417.862.1232 • [BoydAluminum.com](http://BoydAluminum.com)©2016 Boyd Aluminum Manufacturing. The Boyd sunburst and logotype are trademarks of Boyd Aluminum Manufacturing.  
All rights reserved. Due to continued product research, specifications are subject to change without notice.**D1**  
060216



Let's Shine.

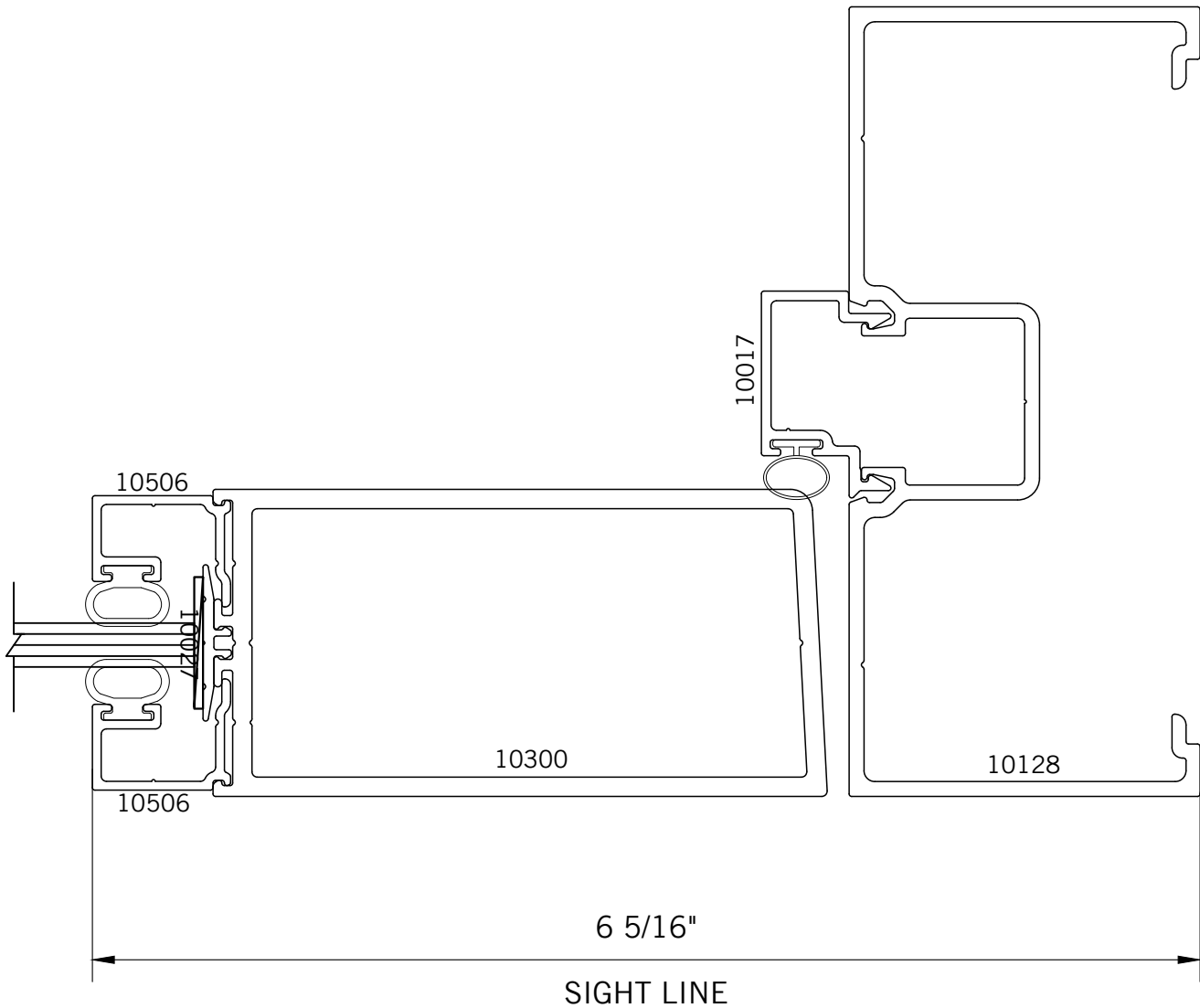


Let's Shine.

800.737.2800 • fax 417.862.1232 • [BoydAluminum.com](http://BoydAluminum.com)

©2016 Boyd Aluminum Manufacturing. The Boyd sunburst and logotype are trademarks of Boyd Aluminum Manufacturing.  
All rights reserved. Due to continued product research, specifications are subject to change without notice.

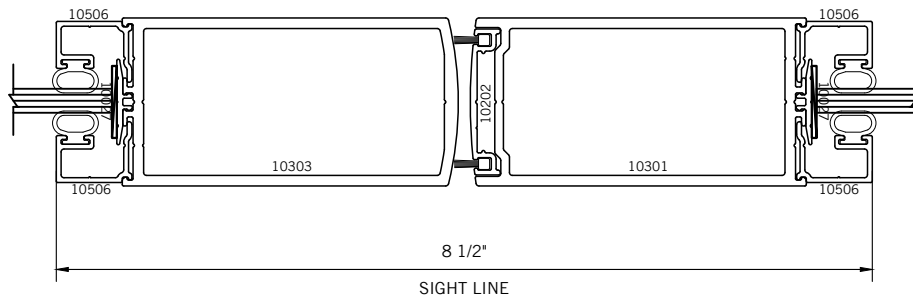
**D3**  
060216



Let's Shine.

800.737.2800 • fax 417.862.1232 • [BoydAluminum.com](http://BoydAluminum.com)©2016 Boyd Aluminum Manufacturing. The Boyd sunburst and logotype are trademarks of Boyd Aluminum Manufacturing.  
All rights reserved. Due to continued product research, specifications are subject to change without notice.**D4**  
060216





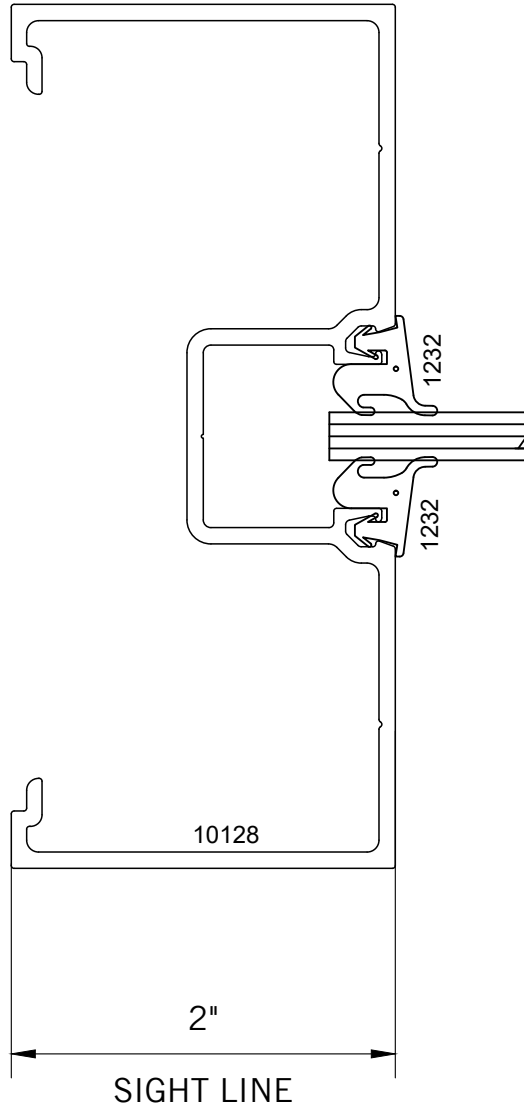
Let's Shine.

SCALE: 6" = 1'-0"

800.737.2800 • fax 417.862.1232 • [BoydAluminum.com](http://BoydAluminum.com)

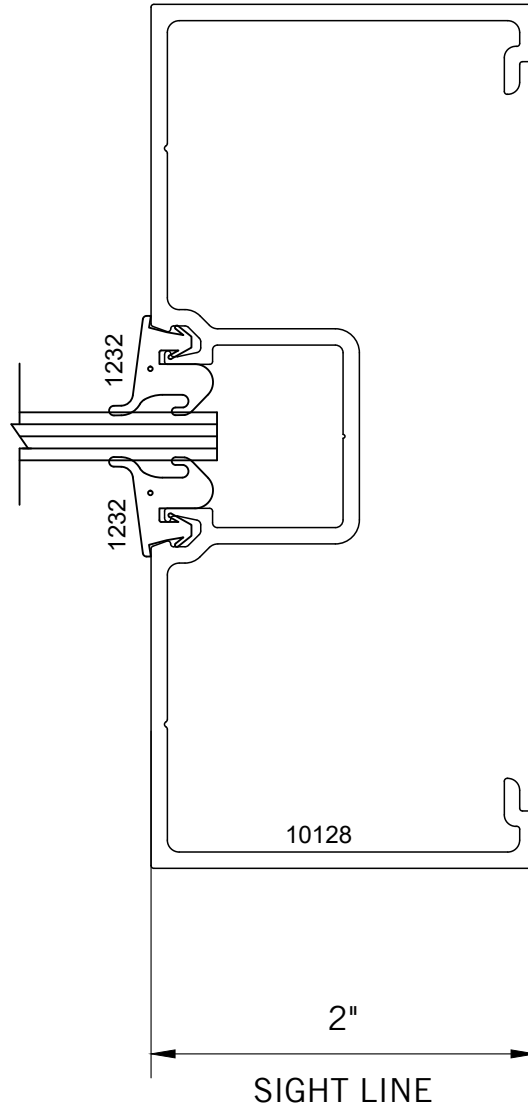
©2016 Boyd Aluminum Manufacturing. The Boyd sunburst and logotype are trademarks of Boyd Aluminum Manufacturing.  
All rights reserved. Due to continued product research, specifications are subject to change without notice.

**D5**  
060216



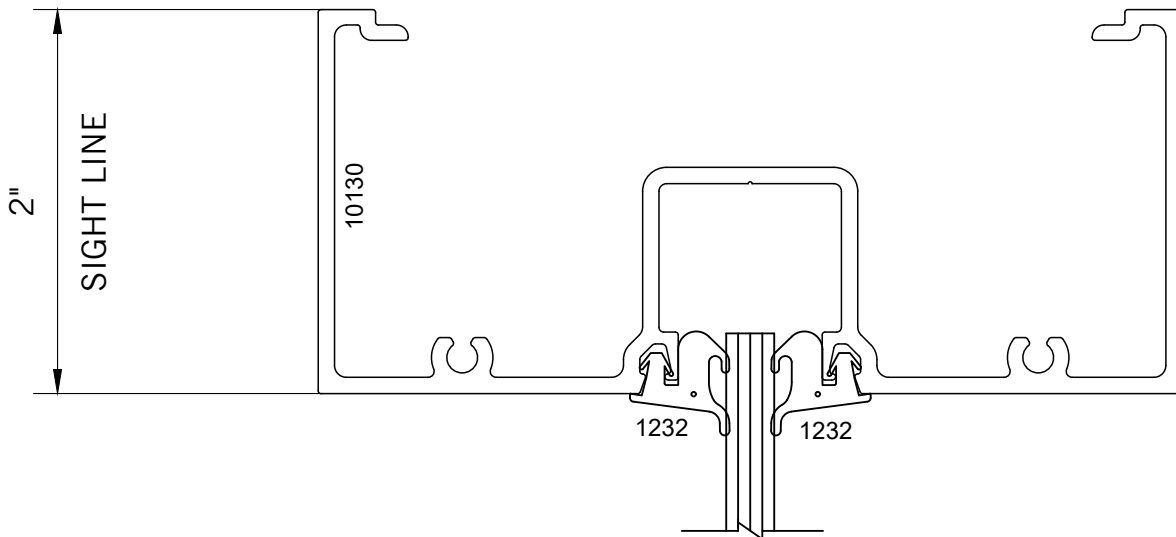
Let's Shine.

800.737.2800 • fax 417.862.1232 • [BoydAluminum.com](http://BoydAluminum.com)©2016 Boyd Aluminum Manufacturing. The Boyd sunburst and logotype are trademarks of Boyd Aluminum Manufacturing.  
All rights reserved. Due to continued product research, specifications are subject to change without notice.**D6**  
060216



Let's Shine.

800.737.2800 • fax 417.862.1232 • [BoydAluminum.com](http://BoydAluminum.com)©2016 Boyd Aluminum Manufacturing. The Boyd sunburst and logotype are trademarks of Boyd Aluminum Manufacturing.  
All rights reserved. Due to continued product research, specifications are subject to change without notice.**D7**  
060216

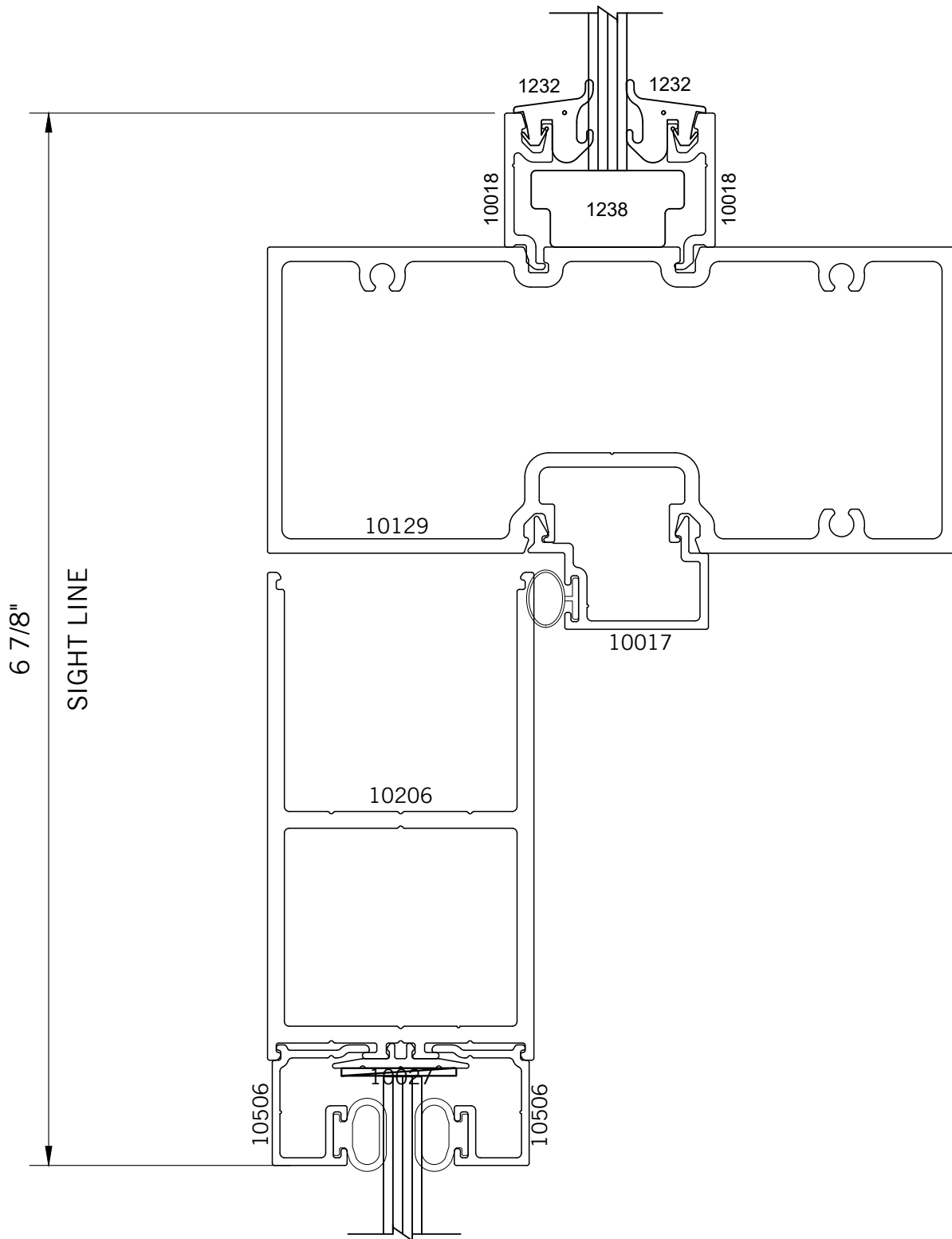


Let's Shine.

800.737.2800 • fax 417.862.1232 • [BoydAluminum.com](http://BoydAluminum.com)

©2016 Boyd Aluminum Manufacturing. The Boyd sunburst and logotype are trademarks of Boyd Aluminum Manufacturing.  
All rights reserved. Due to continued product research, specifications are subject to change without notice.

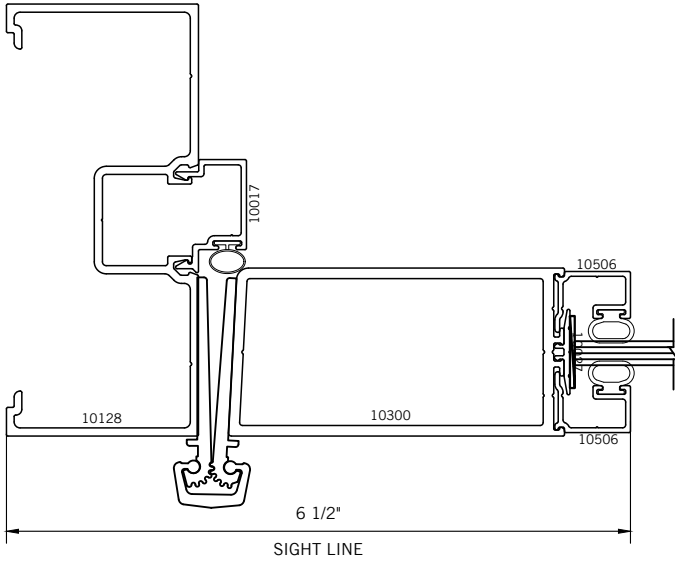
**D8**  
060216



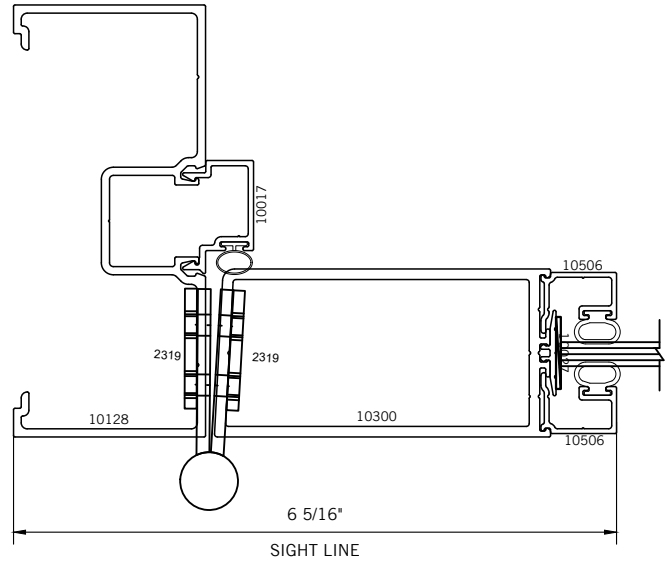
Let's Shine.

800.737.2800 • fax 417.862.1232 • [BoydAluminum.com](http://BoydAluminum.com)

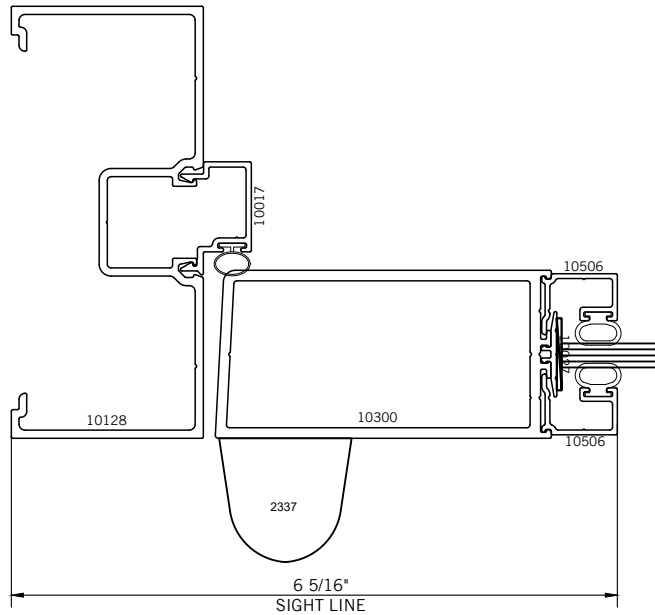
©2016 Boyd Aluminum Manufacturing. The Boyd sunburst and logotype are trademarks of Boyd Aluminum Manufacturing.  
All rights reserved. Due to continued product research, specifications are subject to change without notice.



CONTINUOUS GEAR HINGE



BUTT HINGE

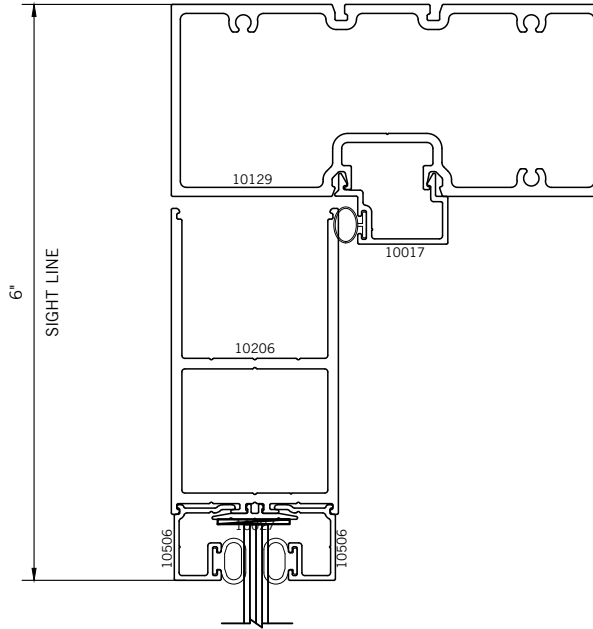


OFFSET PIVOT

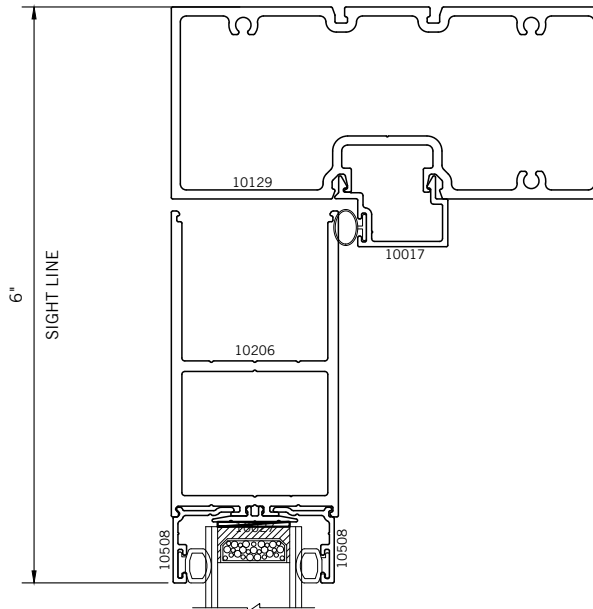
Let's Shine.

800.737.2800 • fax 417.862.1232 • [BoydAluminum.com](http://BoydAluminum.com)

©2016 Boyd Aluminum Manufacturing. The Boyd sunburst and logotype are trademarks of Boyd Aluminum Manufacturing. All rights reserved. Due to continued product research, specifications are subject to change without notice.



1/4" SINGLE GLAZED



1" INSULATED GLASS

Let's Shine.

SCALE: 6" = 1'-0"