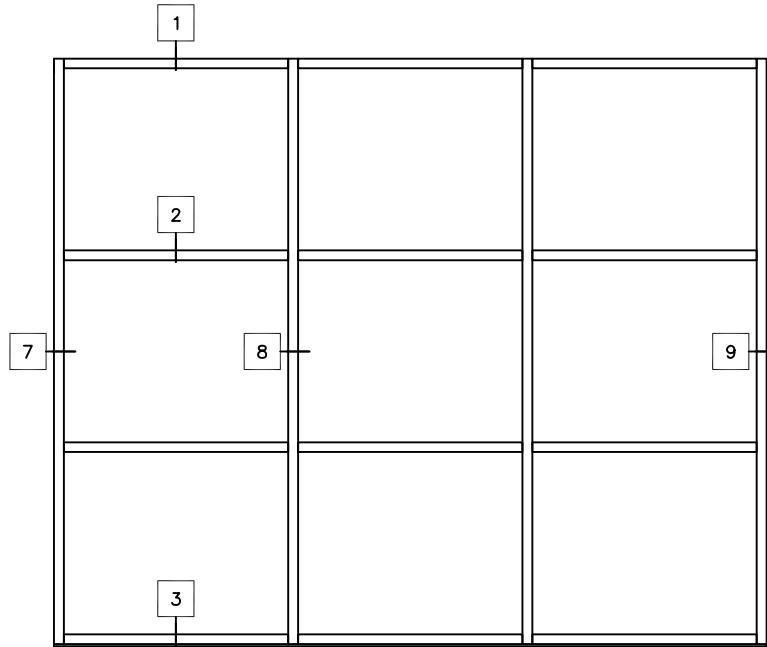
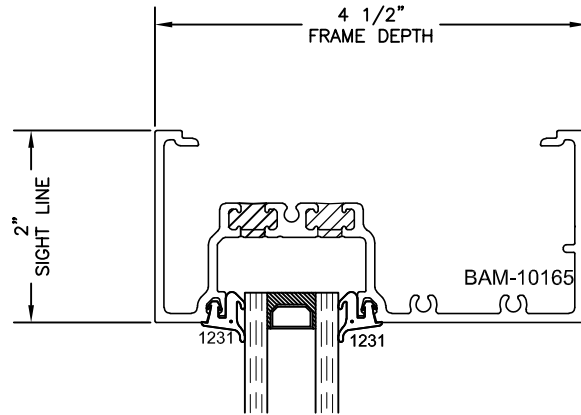


STOREFRONT SERIES B460XT

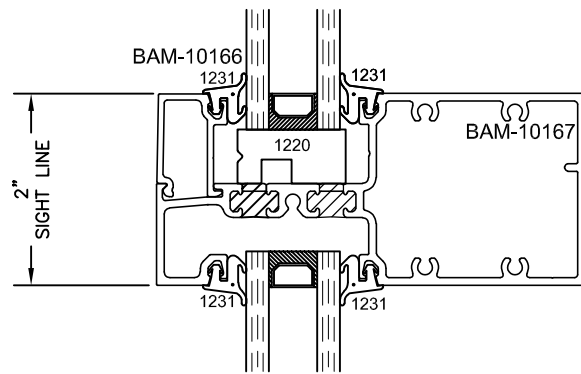
Air Infiltration: (ASTM E283-04)	0.06 cfm/ft at 6.24 psf
Water Resistance: (ASTM E331-09) (ASTM E547-09)	No Leakage at 12 psf
Uniform Load Deflection: (ASTM E330-10)	25 psf
Thermal Break:	Yes
Main Frame Depth:	4 1/2"
Glazing Thickness:	1"

Let's Shine.

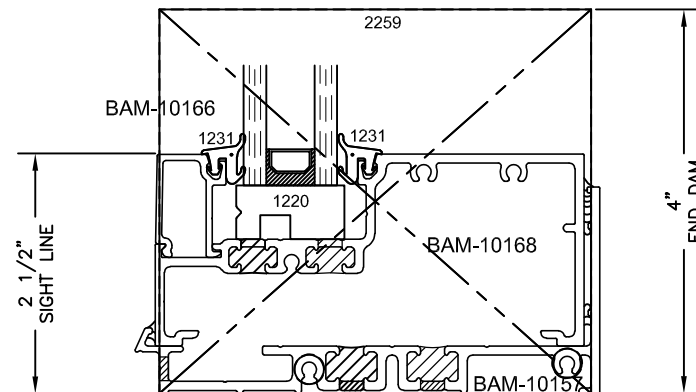
B460XT STOREFRONT
SYSTEM



1
HEAD

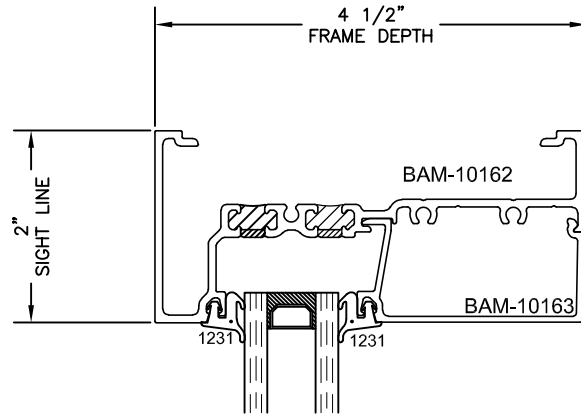


2
HORIZONTAL

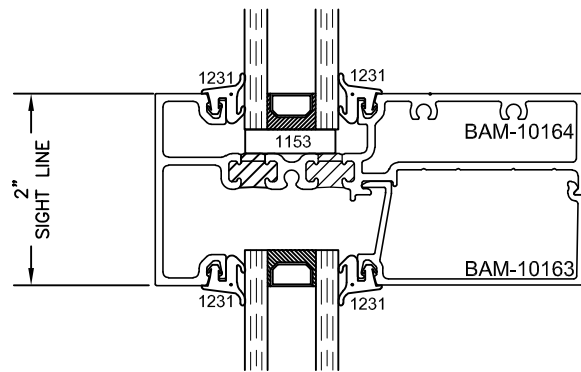


3
SILL

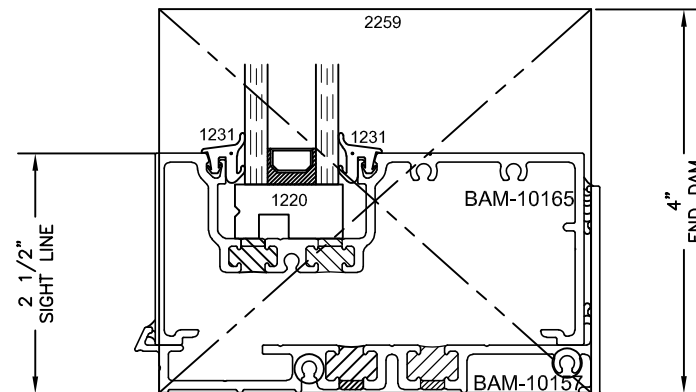
Let's Shine.



4
HEAD



5
HORIZONTAL



6
SILL

Let's Shine.

7

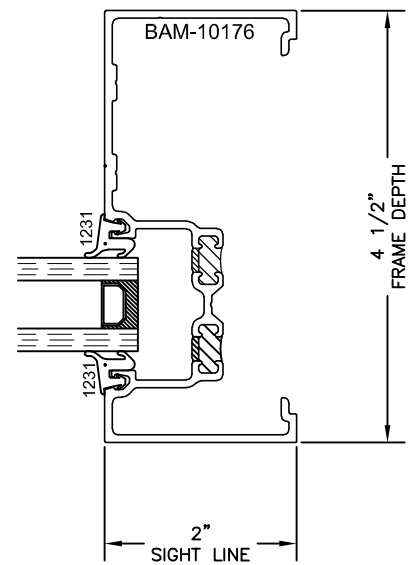
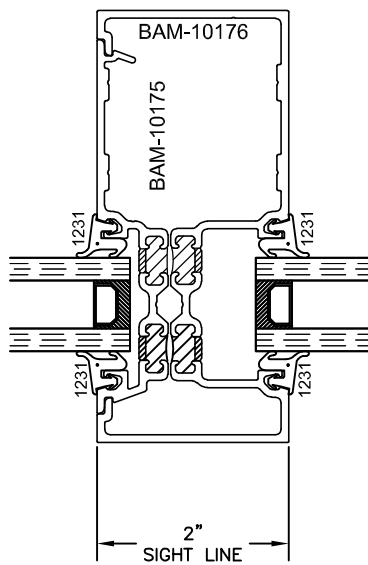
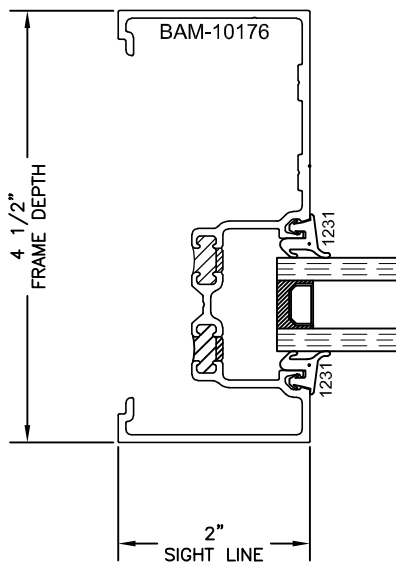
JAMB

8

VERTICAL

9

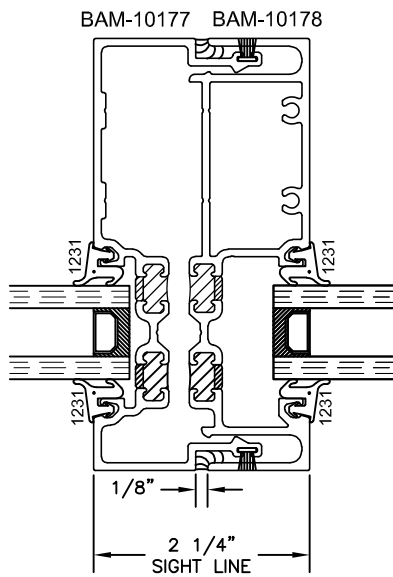
JAMB



Let's Shine.

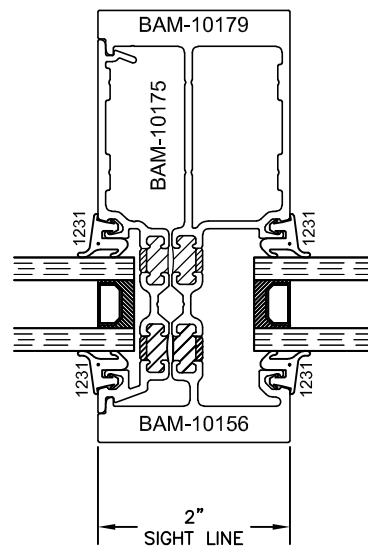
10

EXPANSION MULLION



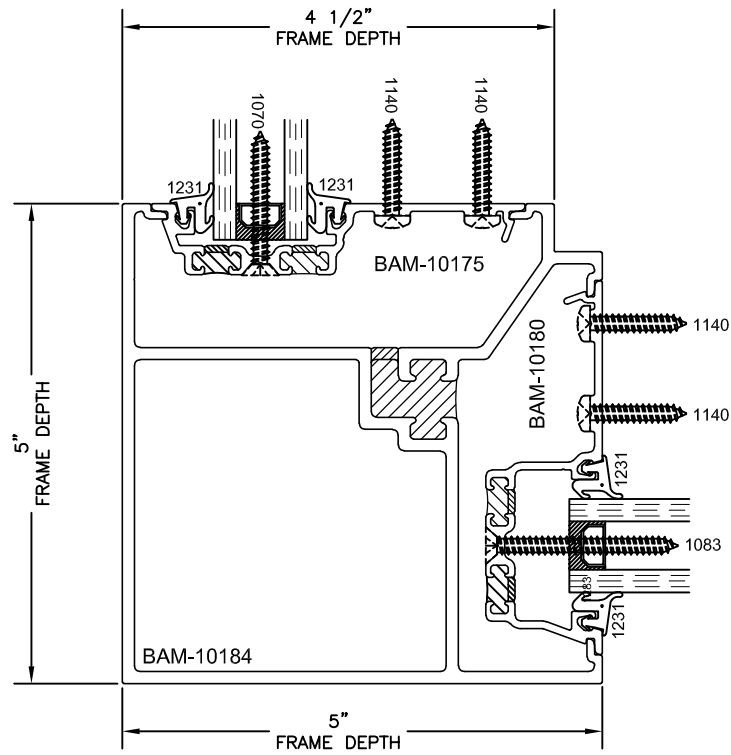
11

HEAVY DUTY MULLION

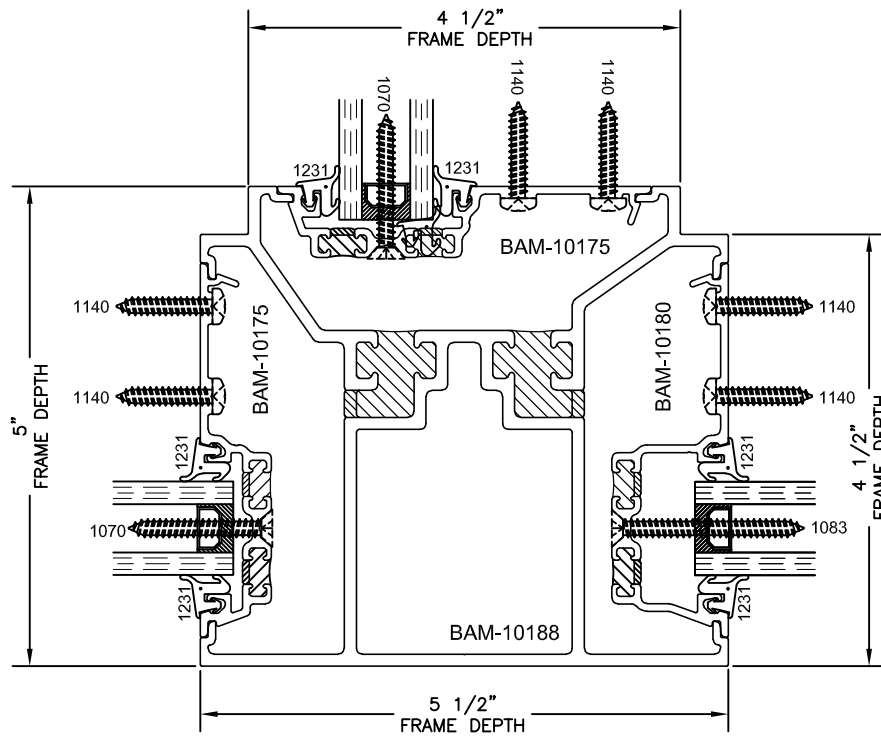


Let's Shine.

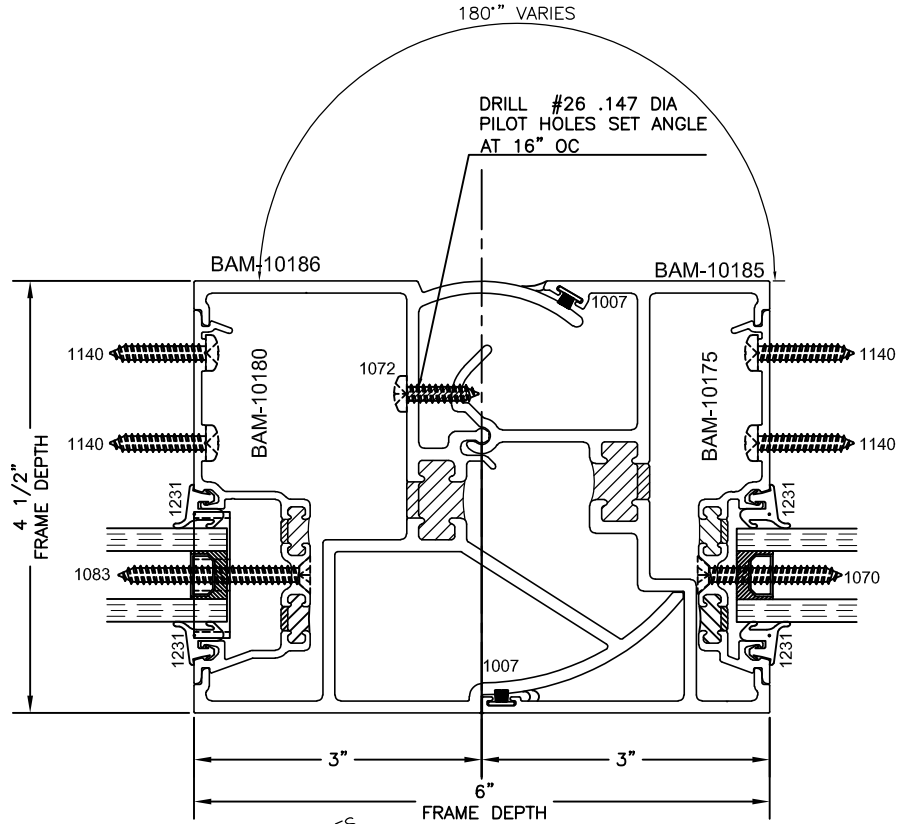
12
90° CORNER



13
3 WAY MULLION

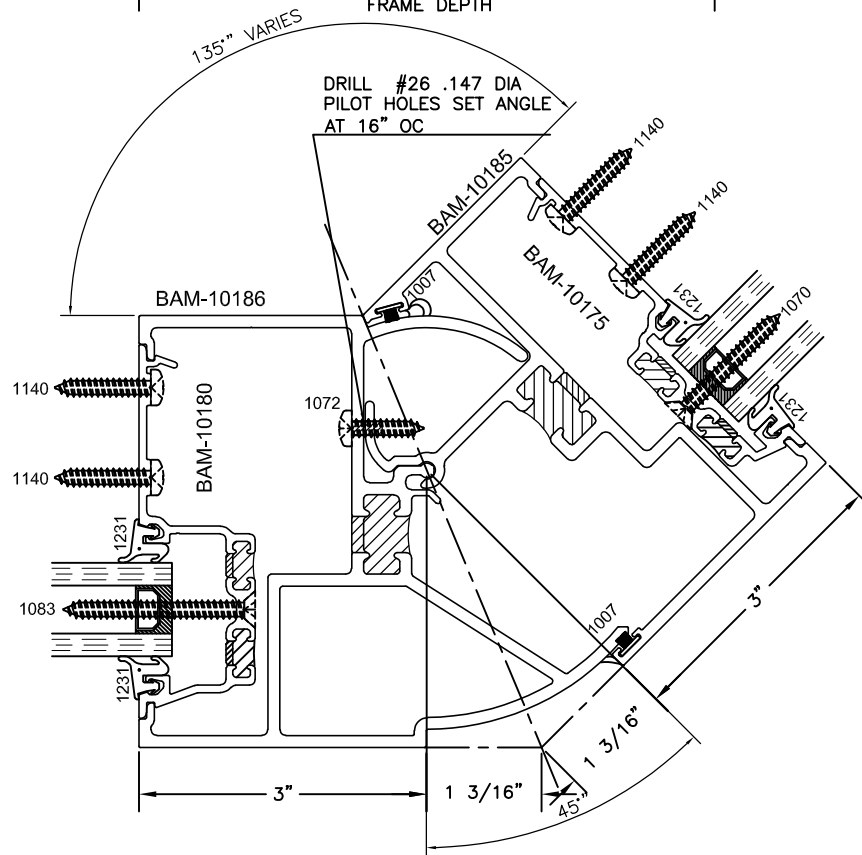


Let's Shine.

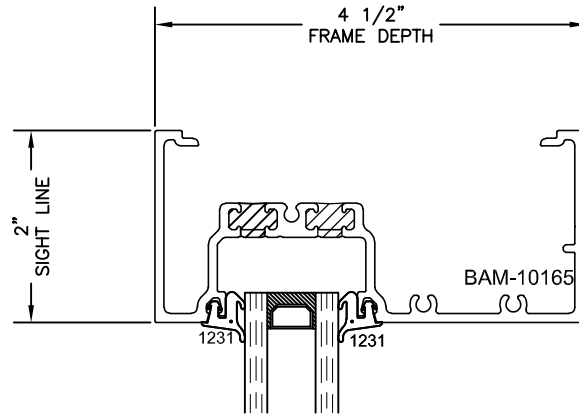


14

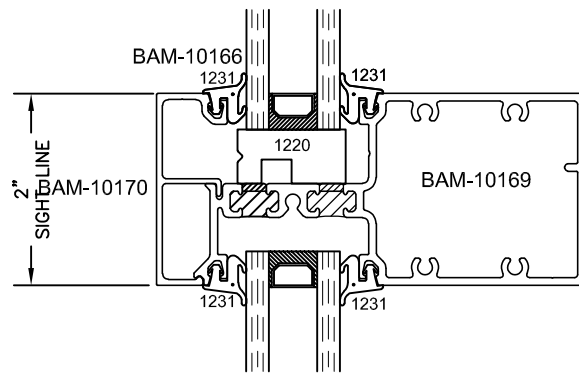
VARIABLE DEGREE MULLION



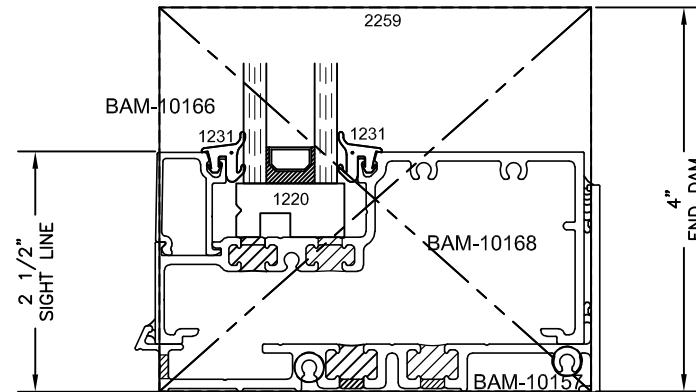
Let's Shine.



15
SSG HEAD © JAMB

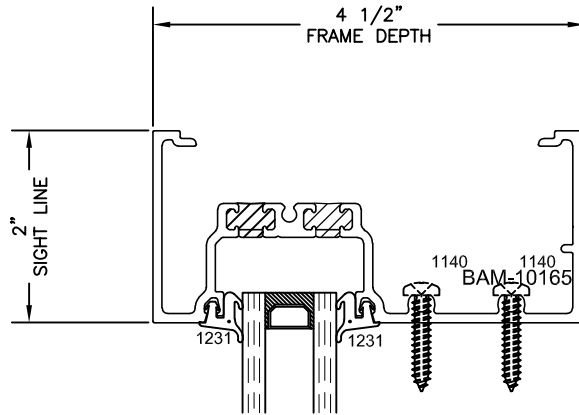


16
SSG HORIZONTAL © JAMB

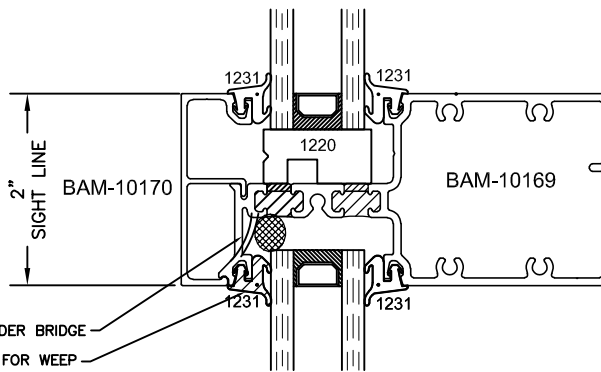


17
SSG SILL © JAMB

Let's Shine.

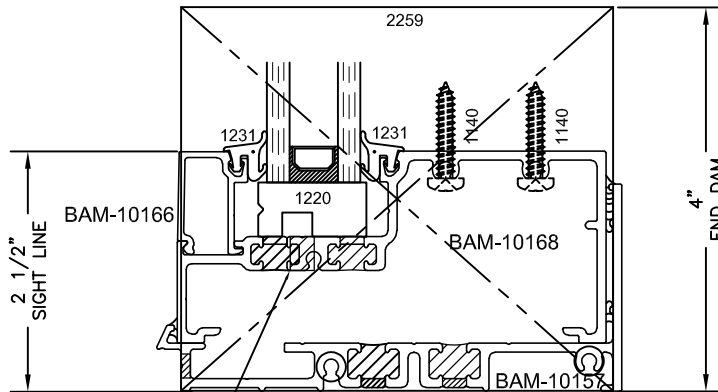


18
SSG HEAD ☉ MULL



19
SSG HORIZONTAL ☉ MULL

SEAL ACROSS FACE UNDER BRIDGE
1/4" GAP IN GASKET FOR WEEP



20
SSG SILL ☉ MULL

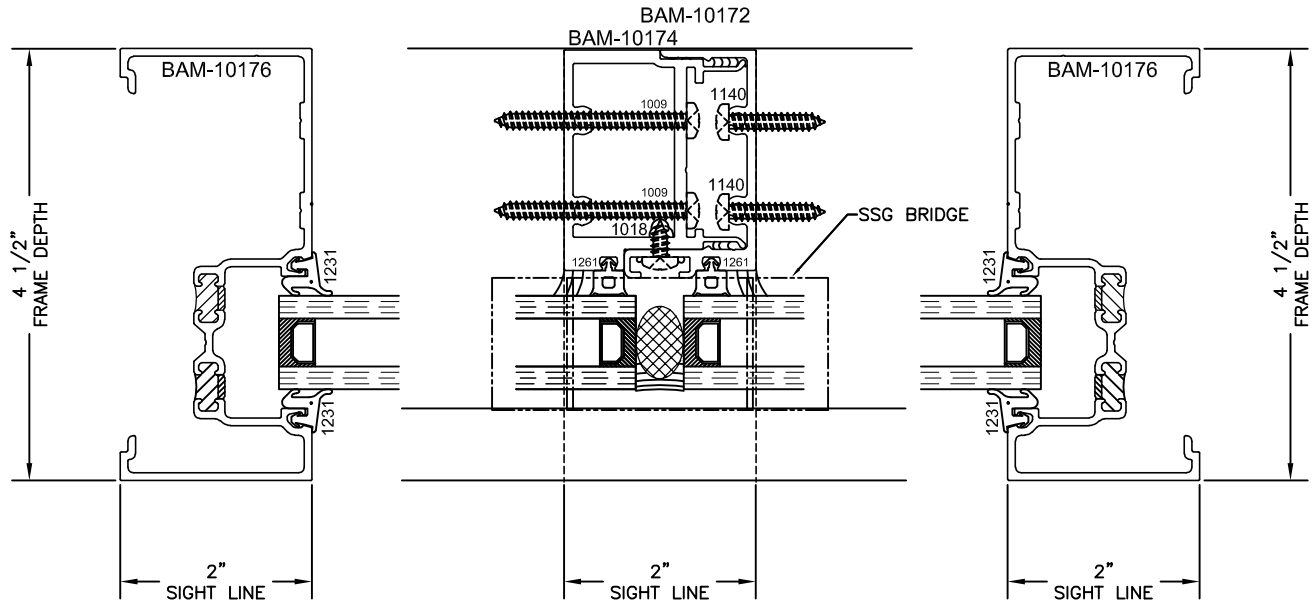
1/4" WEEP 4" FROM SSG MULL EA LITE TYP

Let's Shine.

21
JAMB

22
SSG VERTICAL MULL

23
JAMB



Let's Shine.

24

SSG OUTSIDE 90 DEG MULLION

