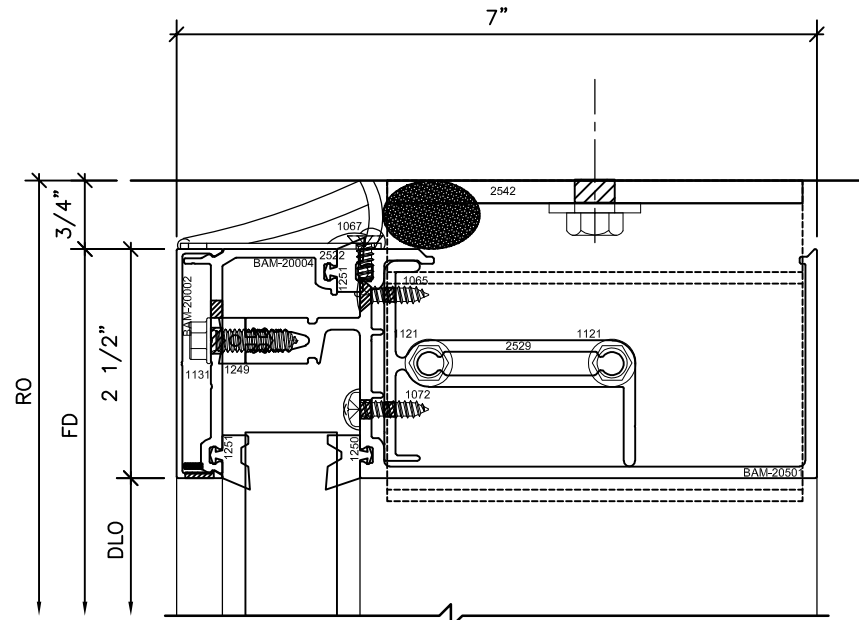


3

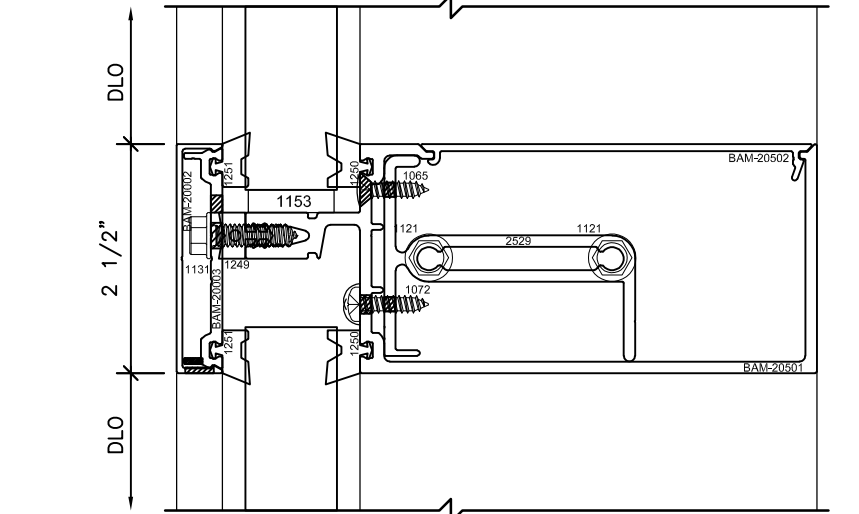
HEAD  
SERIES: B2500 CW  
MISC:



NOTE: EXAMPLE ANCHORS SHOWN. CONFIRM PROJECT REQUIREMENTS. (NBB)

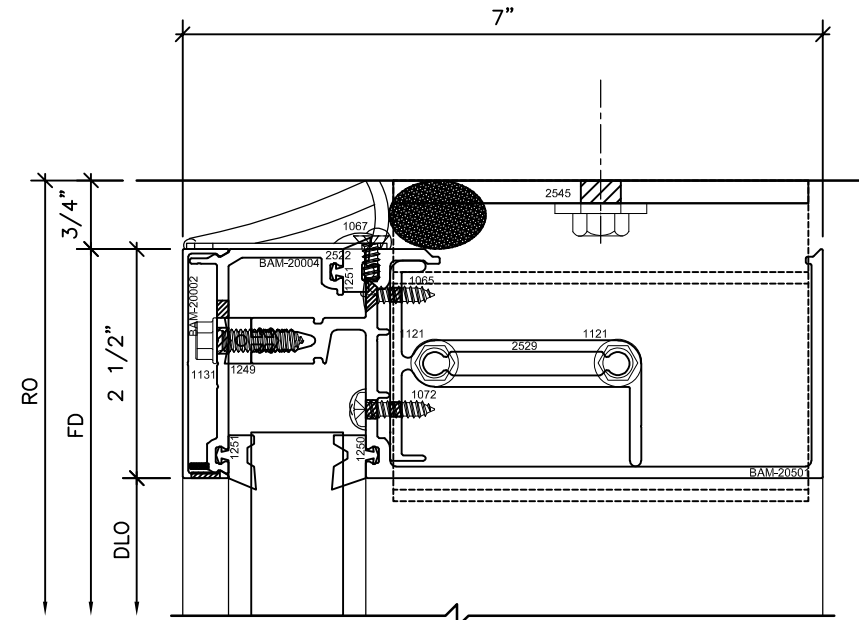
2

HORIZ  
SERIES: B2500 CW  
MISC:



3

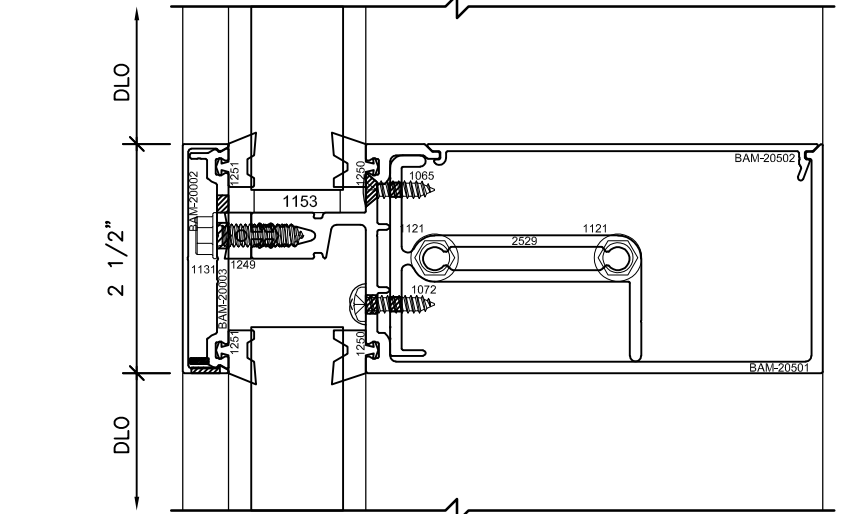
HEAD  
SERIES: B2500 CW  
MISC:



NOTE: EXAMPLE ANCHORS SHOWN. CONFIRM PROJECT REQUIREMENTS. (NBB)

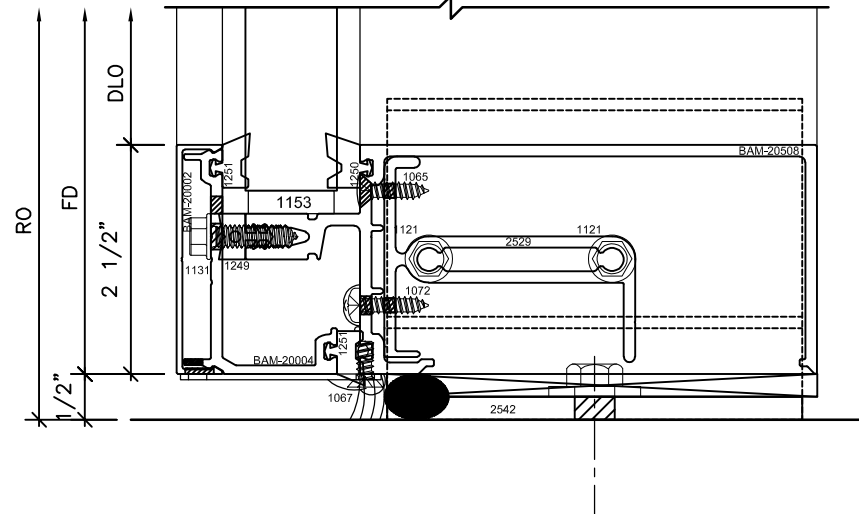
2

HORIZ  
SERIES: B2500 CW  
MISC:



1

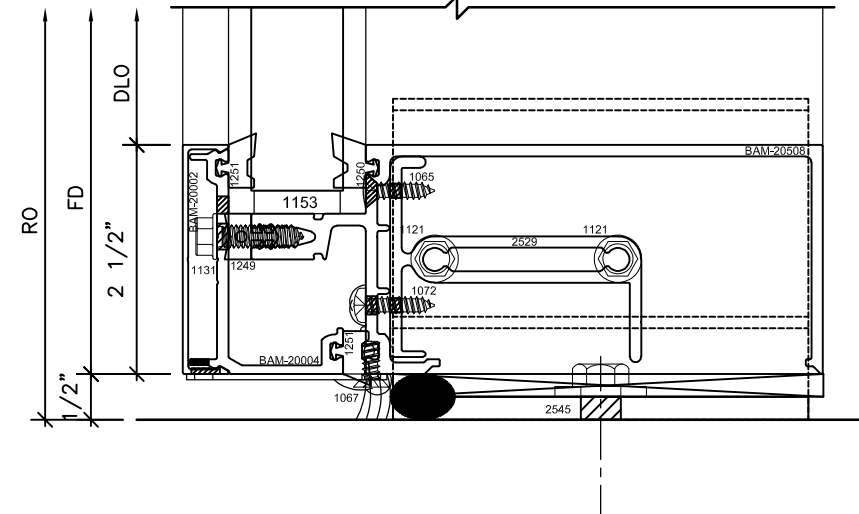
SILL  
SERIES: B2500 CW  
MISC:



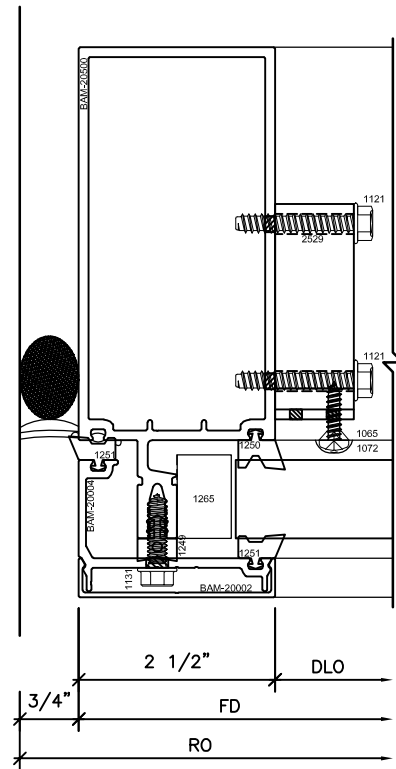
NOTE: EXAMPLE ANCHORS SHOWN. CONFIRM PROJECT REQUIREMENTS. (NBB)

1

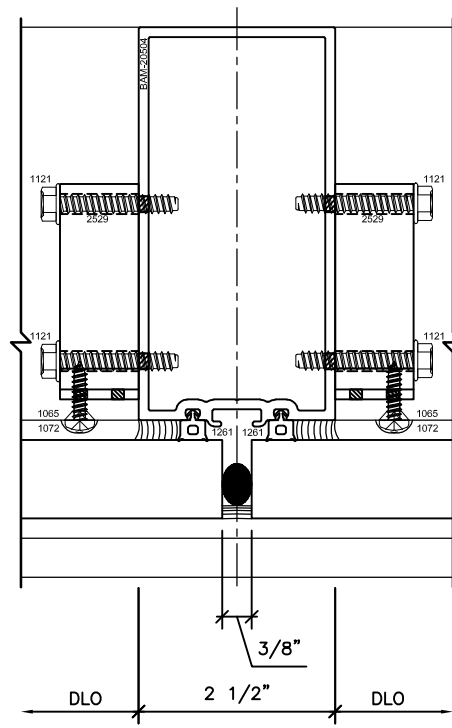
SILL  
SERIES: B2500 CW  
MISC:



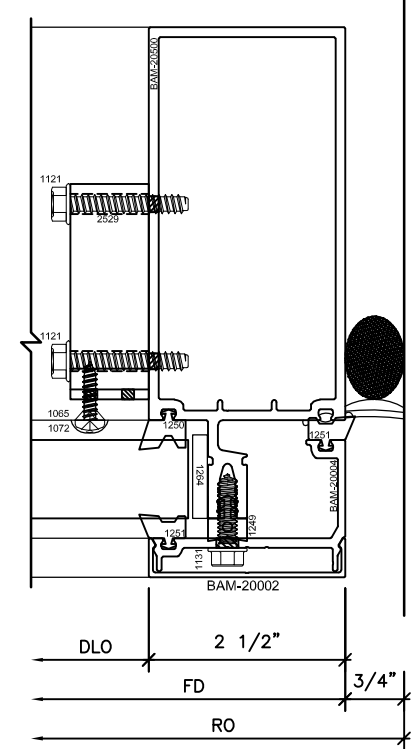
NOTE: EXAMPLE ANCHORS SHOWN. CONFIRM PROJECT REQUIREMENTS. (NBB)



**4** JAMB  
 SERIES: B2500 CW  
 MISC:

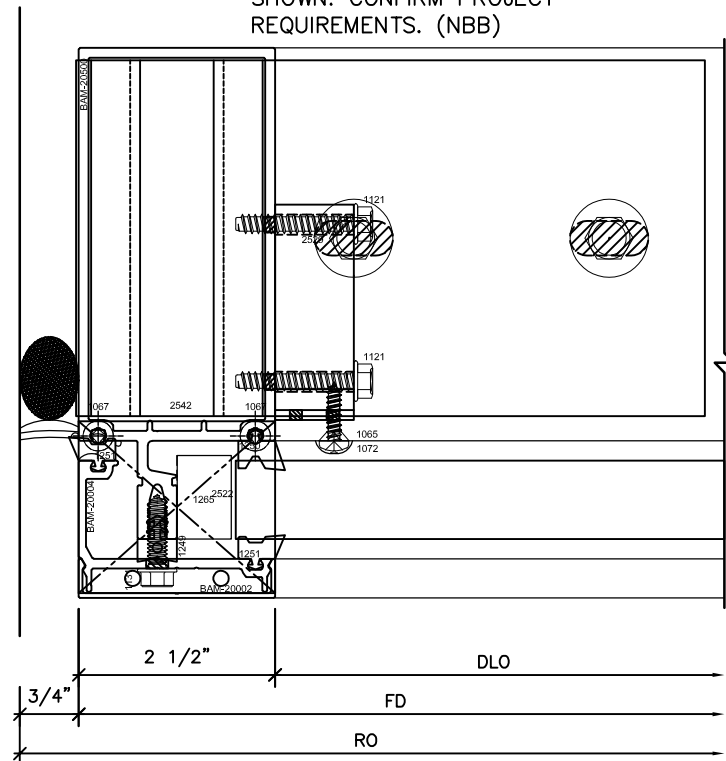


**5** MULL SSG  
 SERIES: B2500 CW  
 MISC:



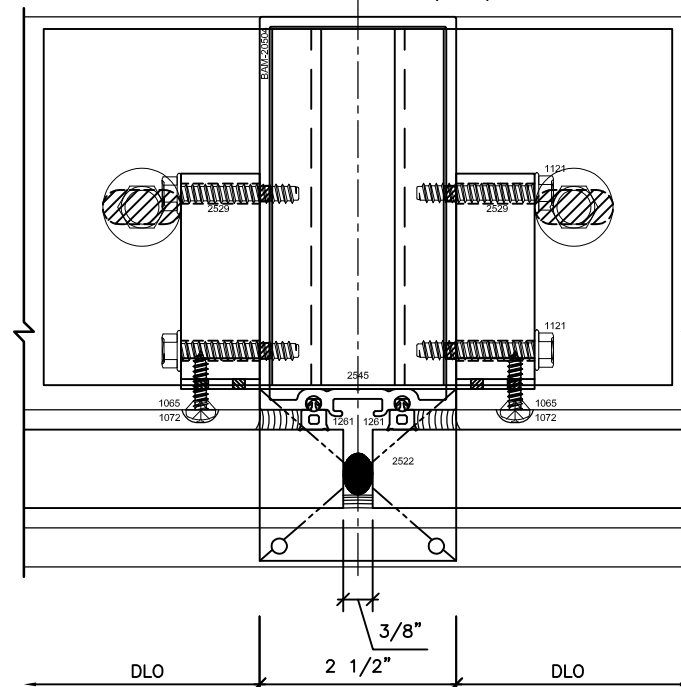
**6** JAMB  
 SERIES: B2500 CW  
 MISC:

NOTE: EXAMPLE ANCHORS SHOWN. CONFIRM PROJECT REQUIREMENTS. (NBB)



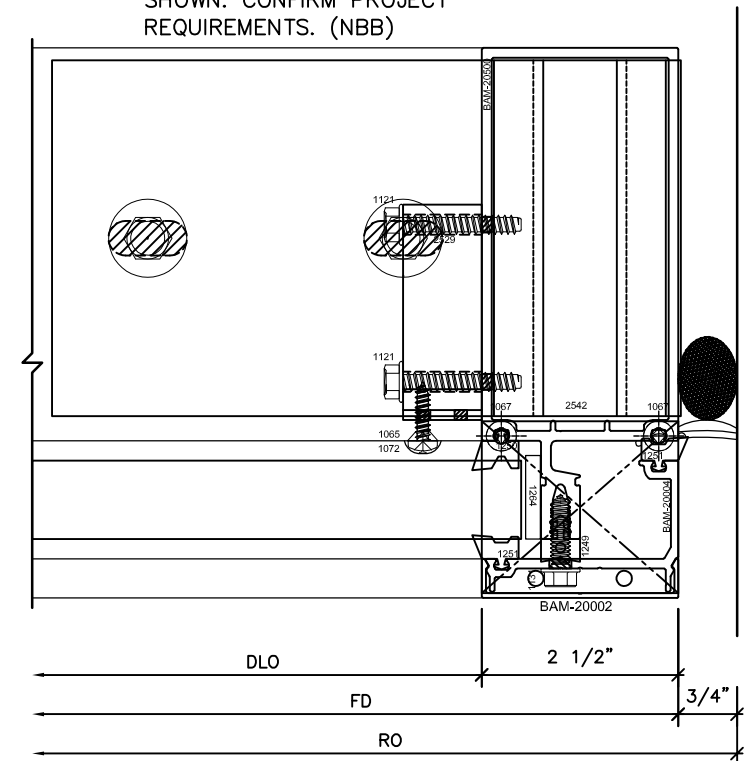
**4** JAMB  
 SERIES: B2500 CW  
 MISC:

NOTE: EXAMPLE ANCHORS SHOWN. CONFIRM PROJECT REQUIREMENTS. (NBB)



**5** MULL SSG  
 SERIES: B2500 CW  
 MISC:

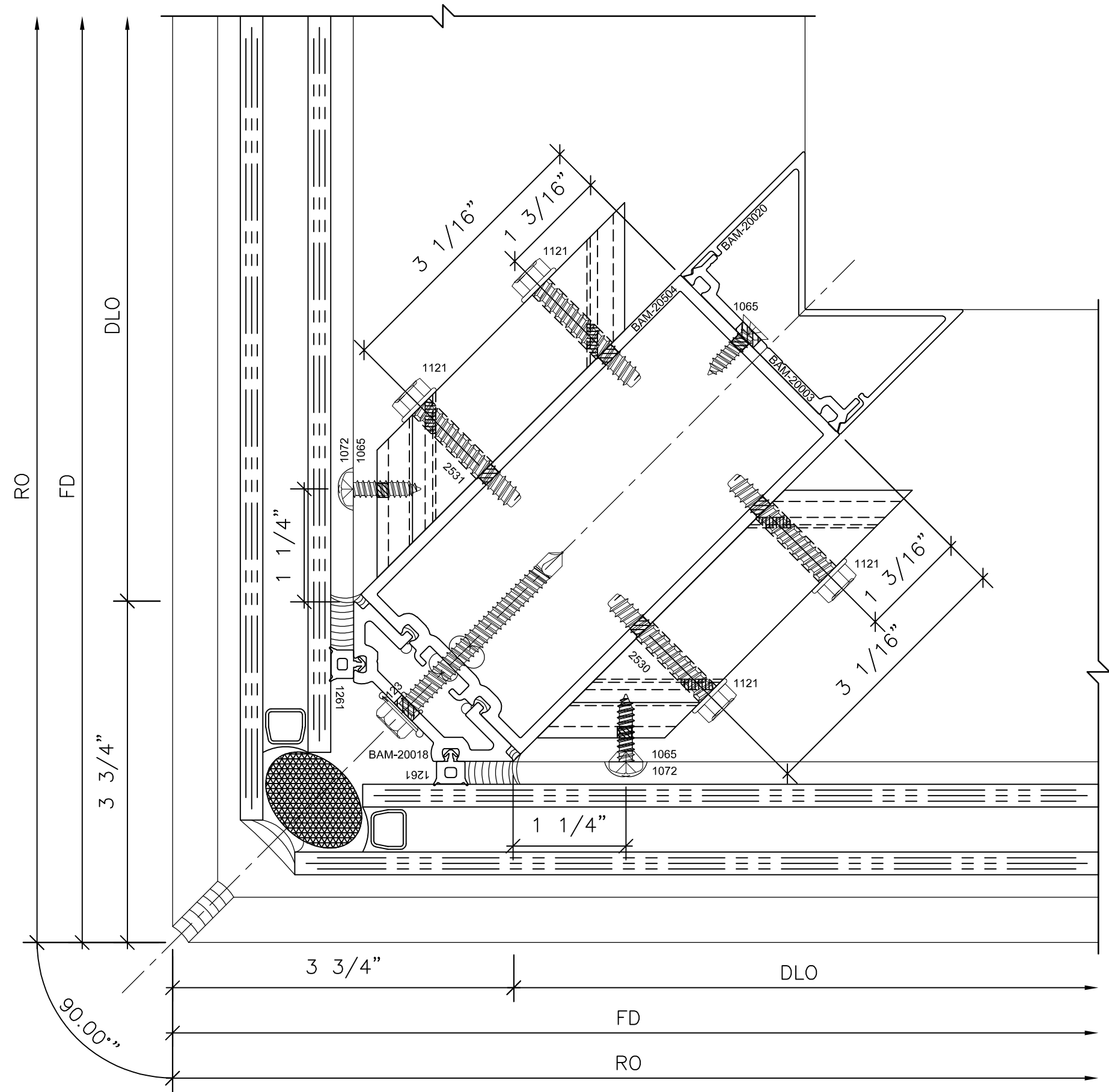
NOTE: EXAMPLE ANCHORS SHOWN. CONFIRM PROJECT REQUIREMENTS. (NBB)



**6** JAMB  
 SERIES: B2500 CW  
 MISC:



**5** CORNER MULL  
 SERIES: B2500 CW  
 MISC: SSG

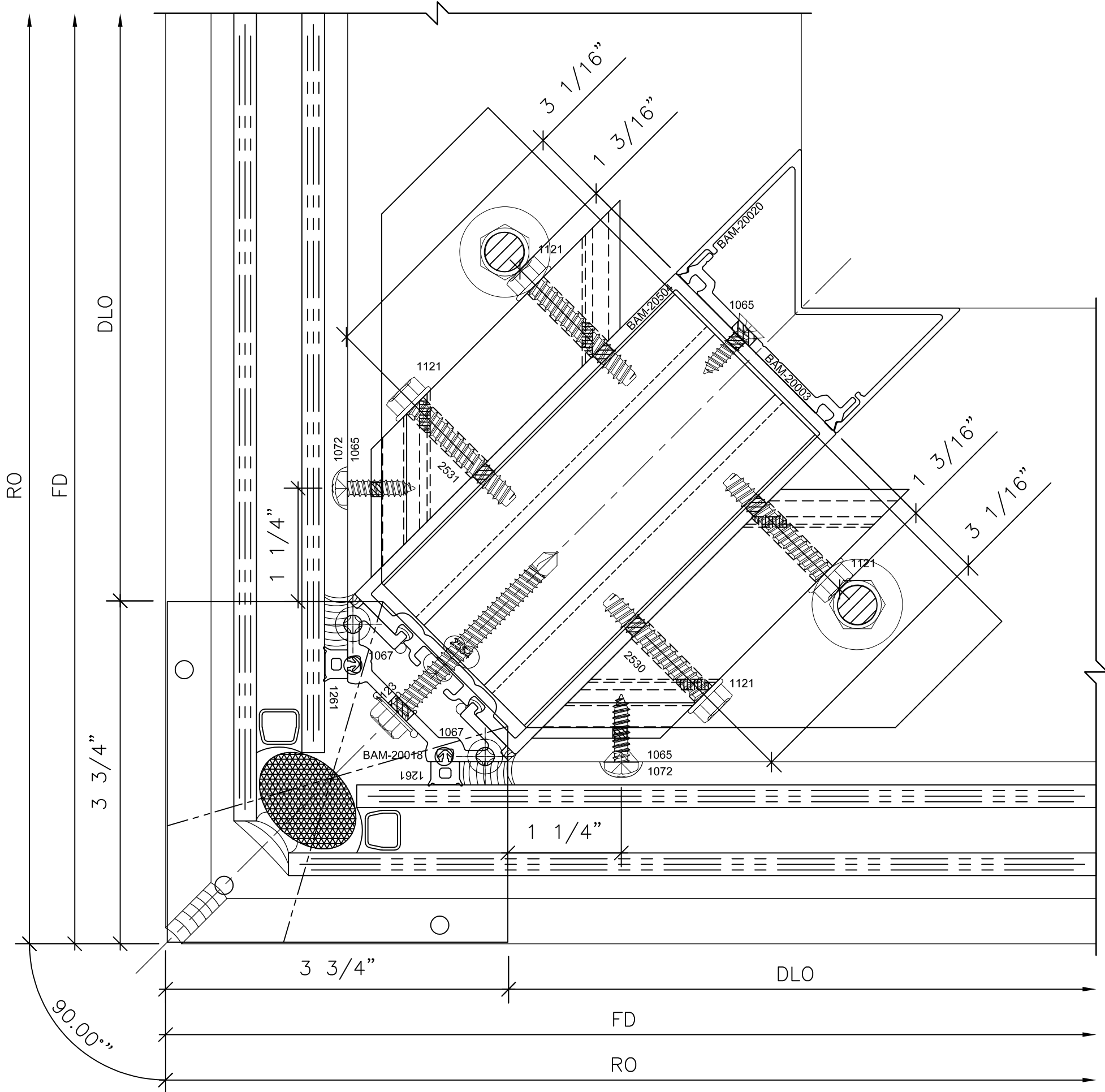


# 4

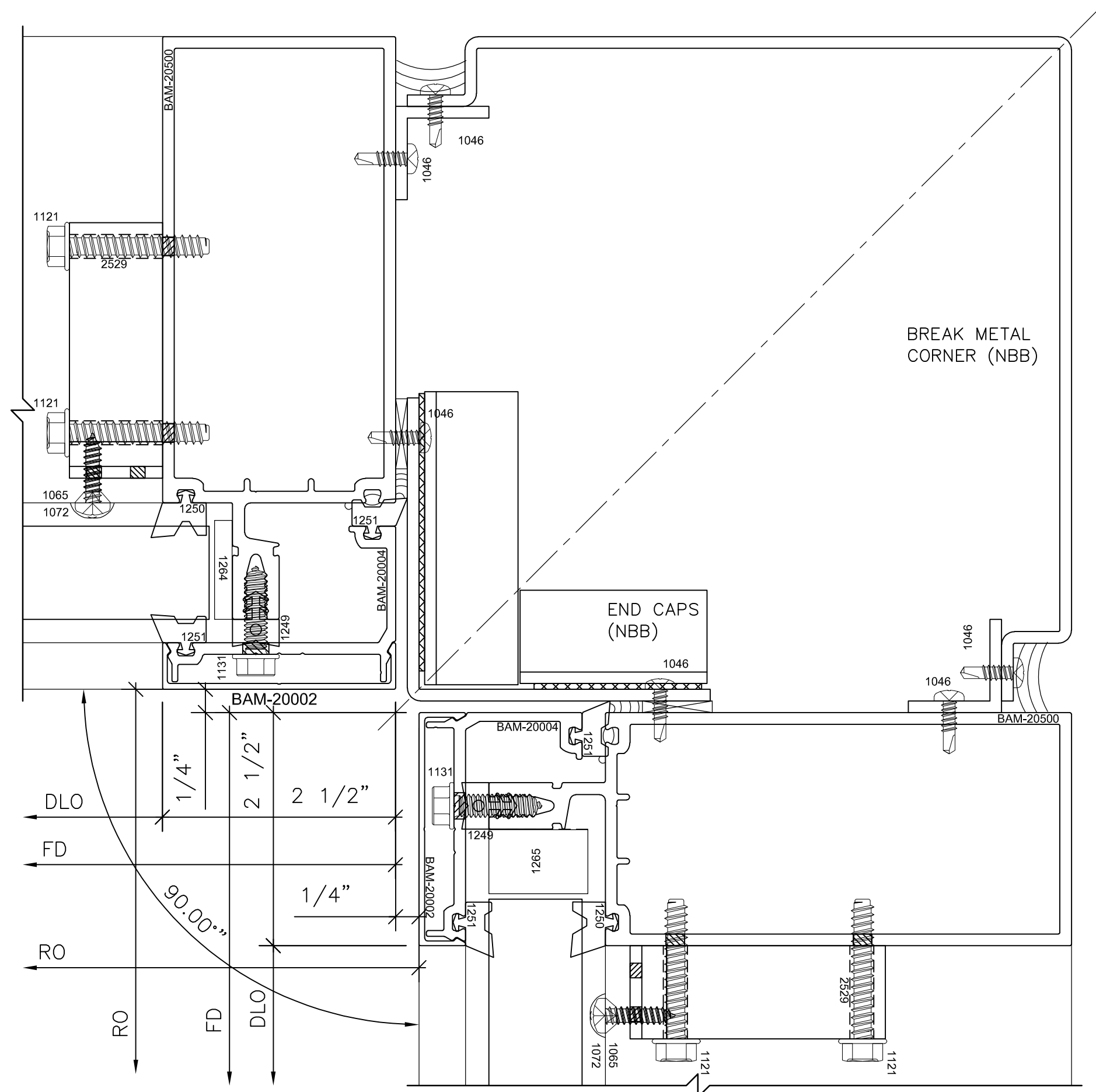
## CORNER MULL

SERIES: B2500 CW  
MISC: SSG

NOTE: EXAMPLE ANCHORS SHOWN. CONFIRM PROJECT REQUIREMENTS. (NBB)

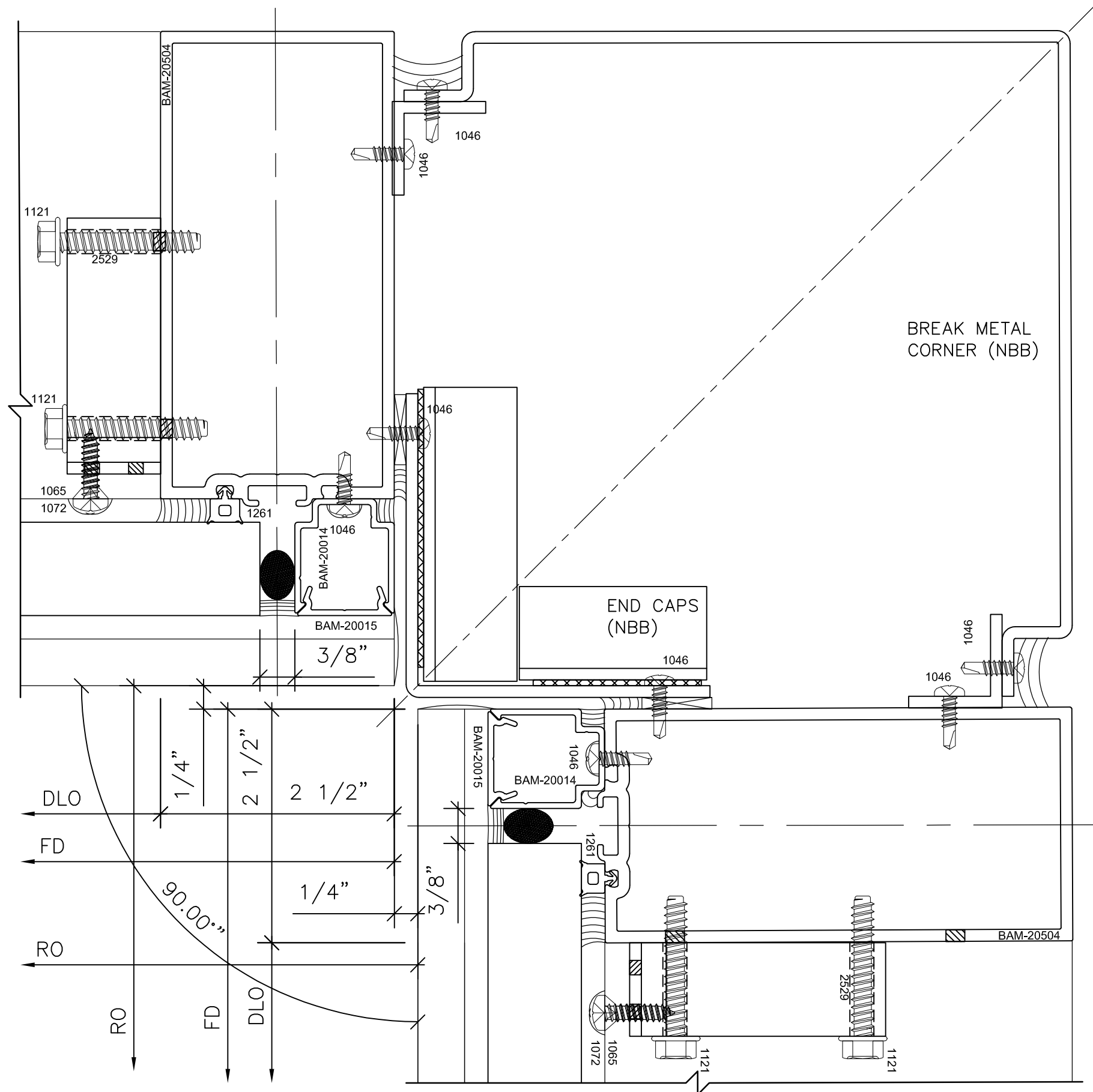


**7** CORNER MULL  
 SERIES: B2500 CW  
 MISC:





**7** CORNER MULL  
 SERIES: B2500 CW  
 MISC:





6

CORNER MULL  
SERIES: B2500 CW  
MISC:

