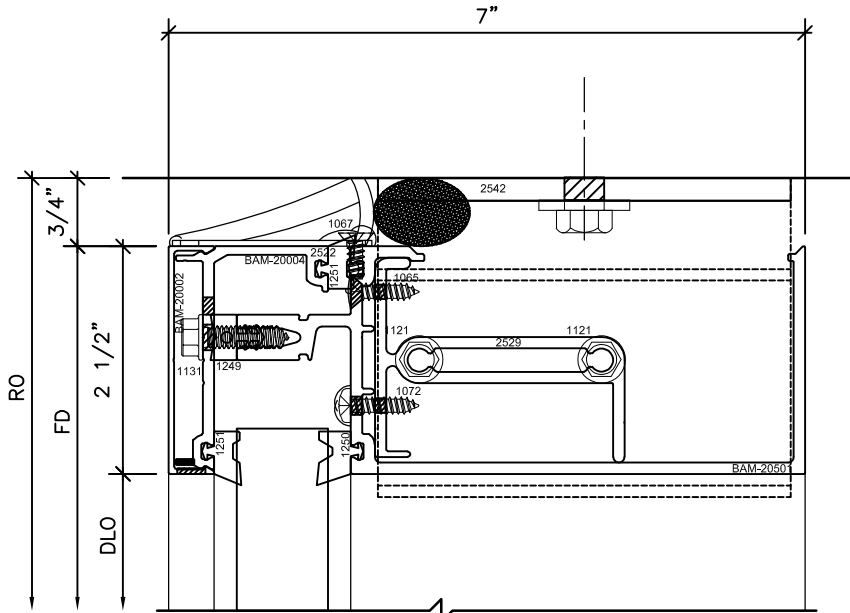
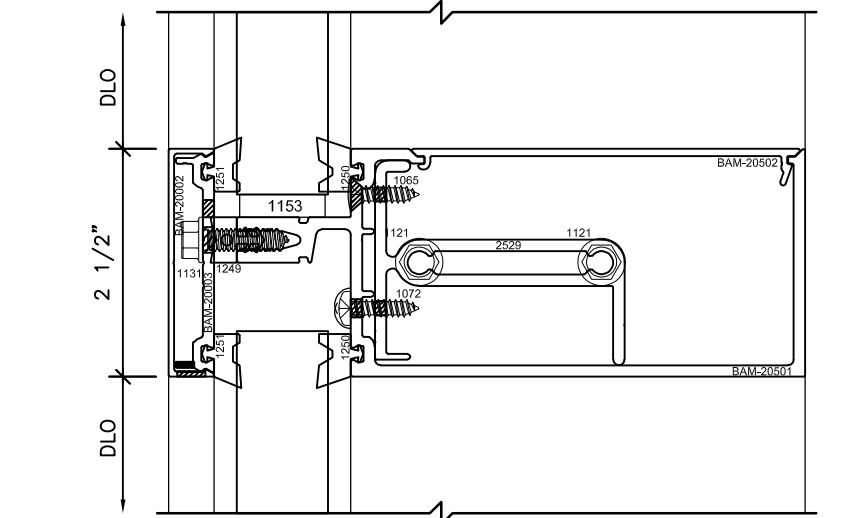


**3** HEAD  
 SERIES: B2500 CW  
 MISC:

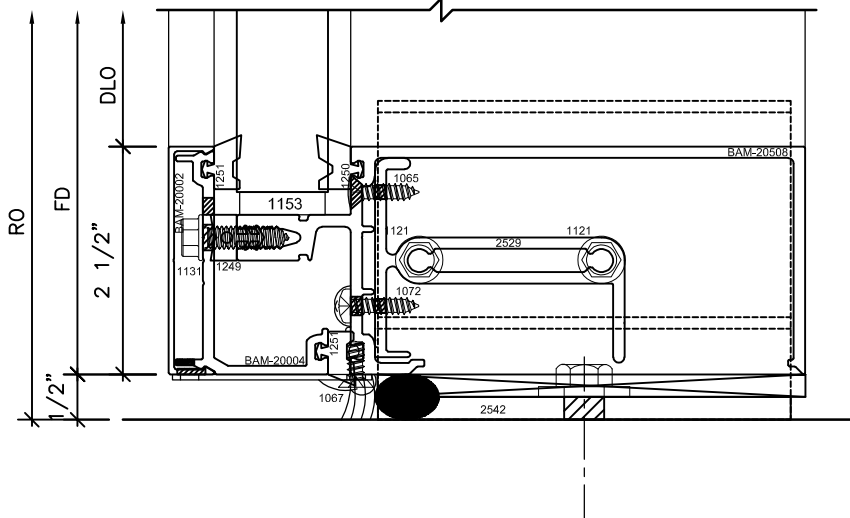


NOTE: EXAMPLE ANCHORS SHOWN. CONFIRM PROJECT REQUIREMENTS. (NBB)

**2** HORIZ  
 SERIES: B2500 CW  
 MISC:

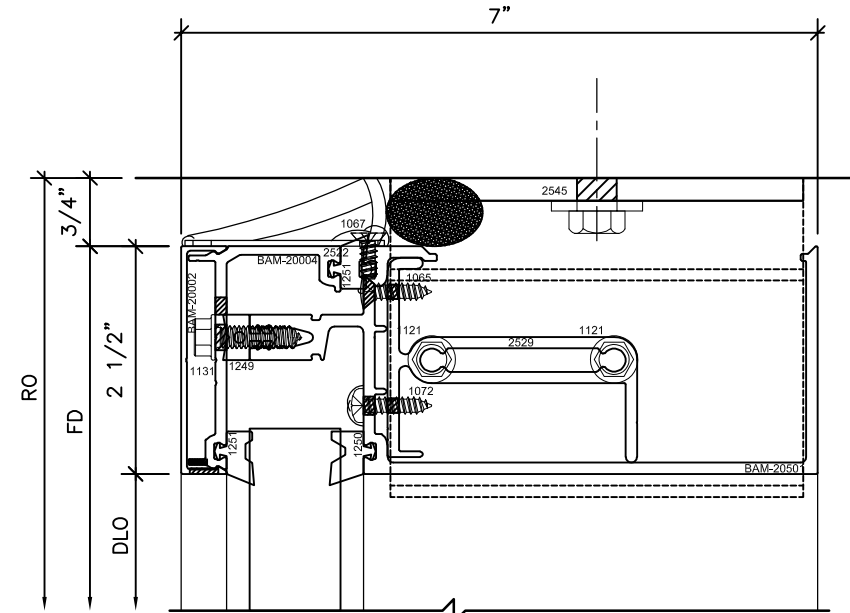


**1** SILL  
 SERIES: B2500 CW  
 MISC:



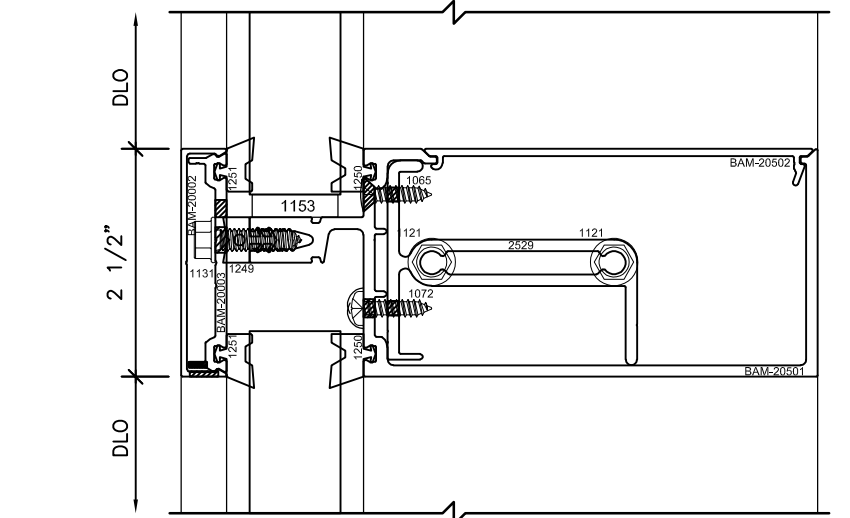
NOTE: EXAMPLE ANCHORS SHOWN. CONFIRM PROJECT REQUIREMENTS. (NBB)

**3** HEAD  
 SERIES: B2500 CW  
 MISC:

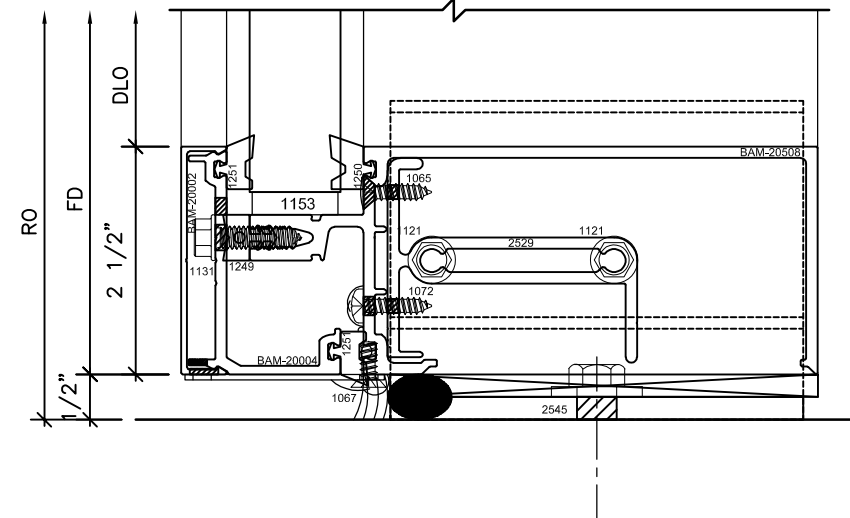


NOTE: EXAMPLE ANCHORS SHOWN. CONFIRM PROJECT REQUIREMENTS. (NBB)

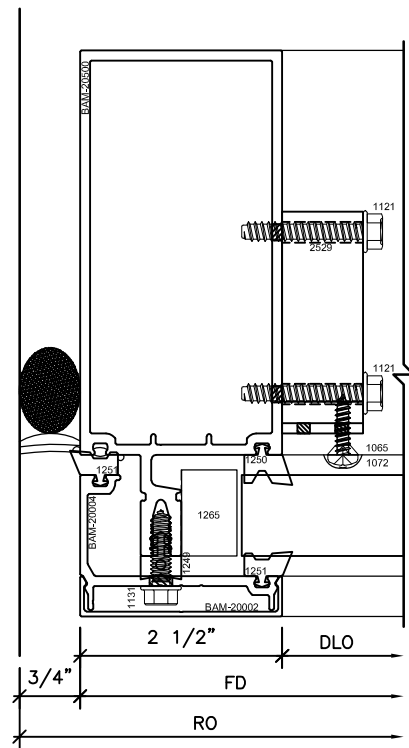
**2** HORIZ  
 SERIES: B2500 CW  
 MISC:



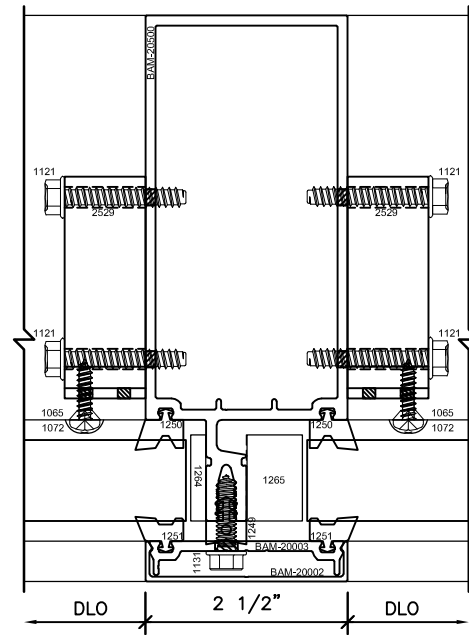
**1** SILL  
 SERIES: B2500 CW  
 MISC:



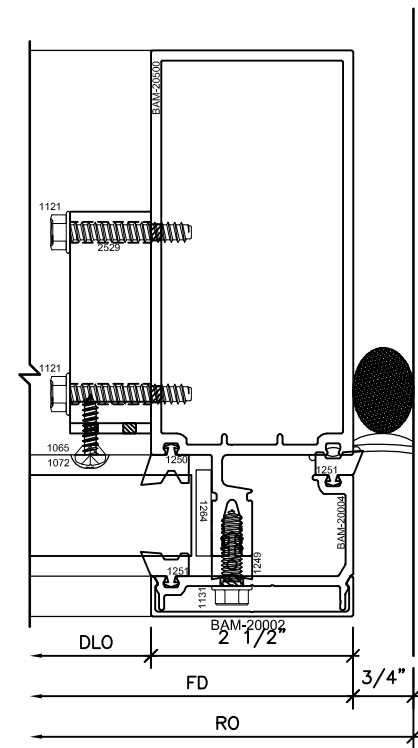
NOTE: EXAMPLE ANCHORS SHOWN. CONFIRM PROJECT REQUIREMENTS. (NBB)



**4** **JAMB**  
 SERIES: B2500 CW  
 MISC:

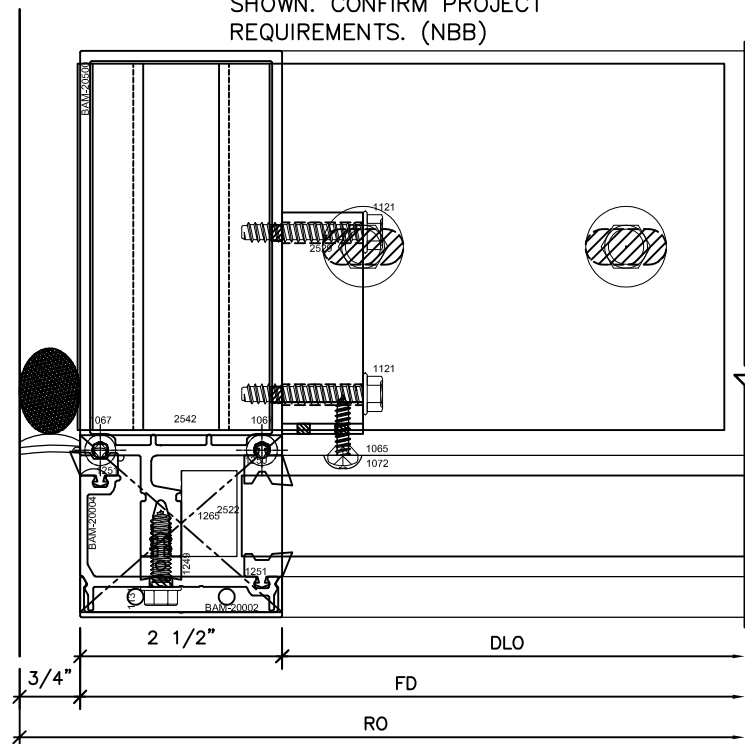


**5** **MULL**  
 SERIES: B2500 CW  
 MISC:



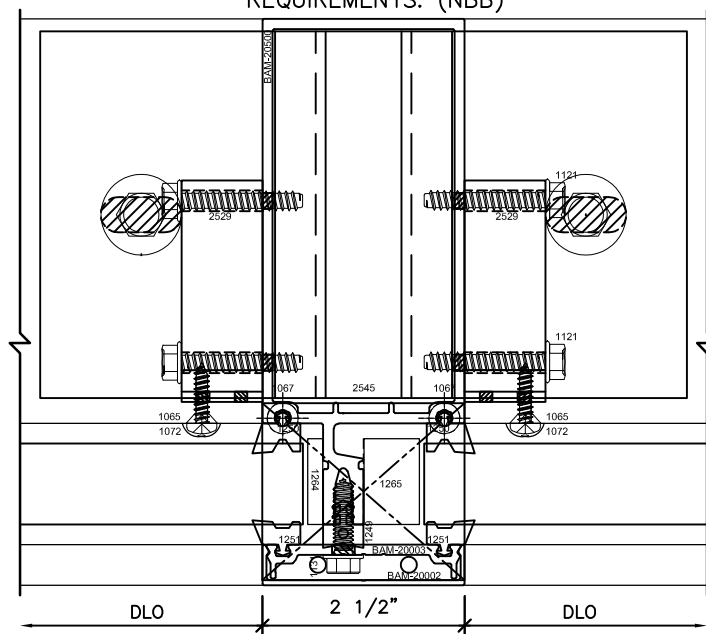
**6** **JAMB**  
 SERIES: B2500 CW  
 MISC:

NOTE: EXAMPLE ANCHORS SHOWN. CONFIRM PROJECT REQUIREMENTS. (NBB)



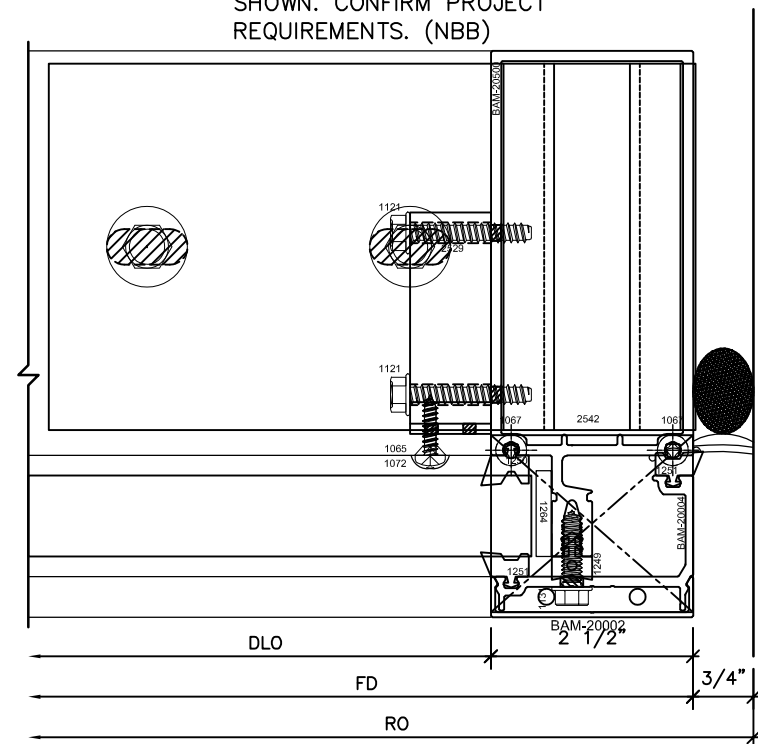
**4** **JAMB**  
 SERIES: B2500 CW  
 MISC:

NOTE: EXAMPLE ANCHORS SHOWN. CONFIRM PROJECT REQUIREMENTS. (NBB)



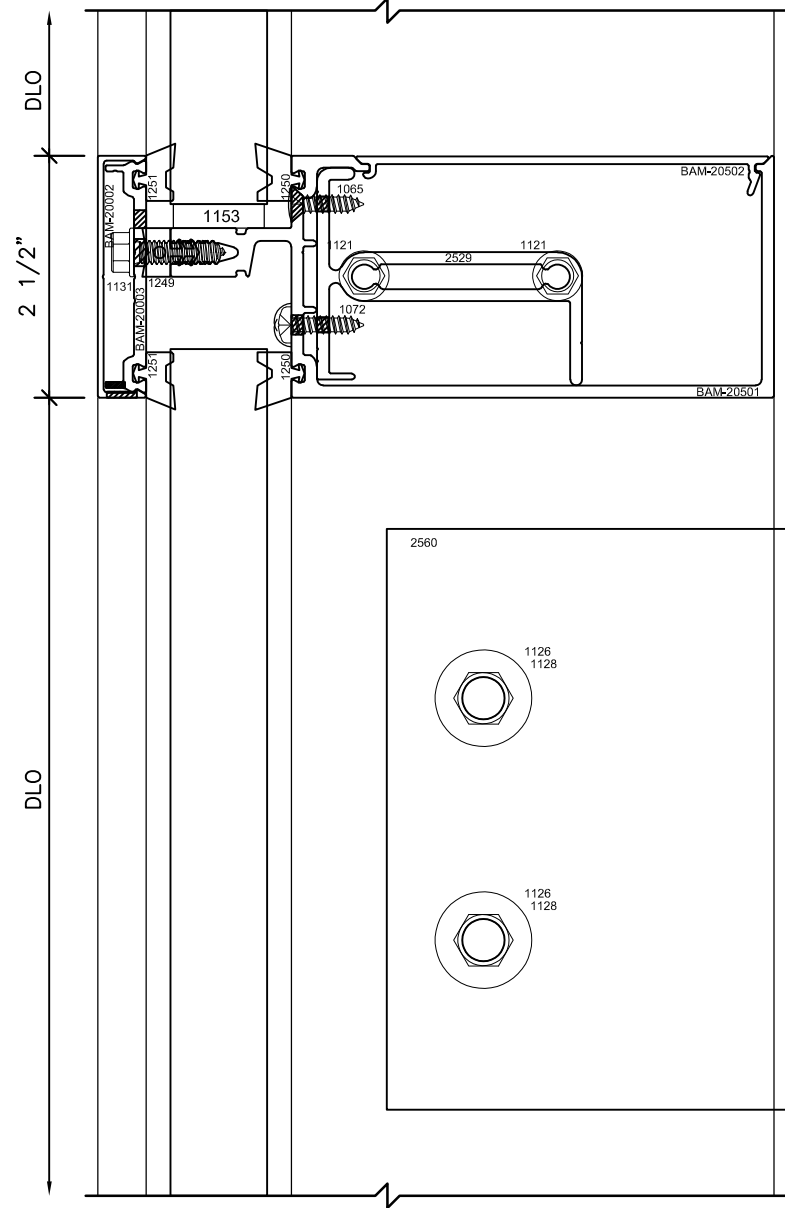
**5** **MULL**  
 SERIES: B2500 CW  
 MISC:

NOTE: EXAMPLE ANCHORS SHOWN. CONFIRM PROJECT REQUIREMENTS. (NBB)

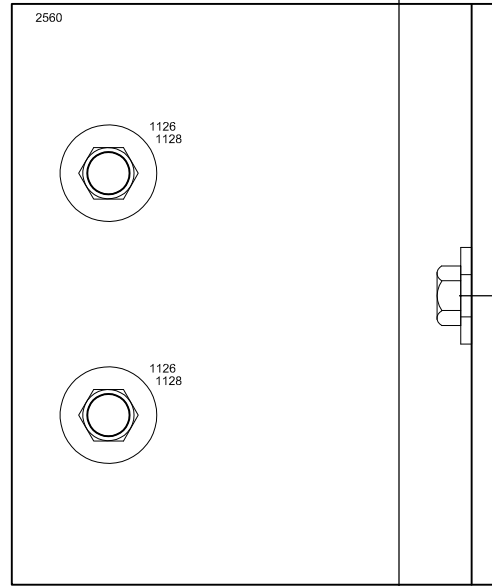


**6** **JAMB**  
 SERIES: B2500 CW  
 MISC:

**3** HORIZ  
SERIES: B2500 CW  
MISC:

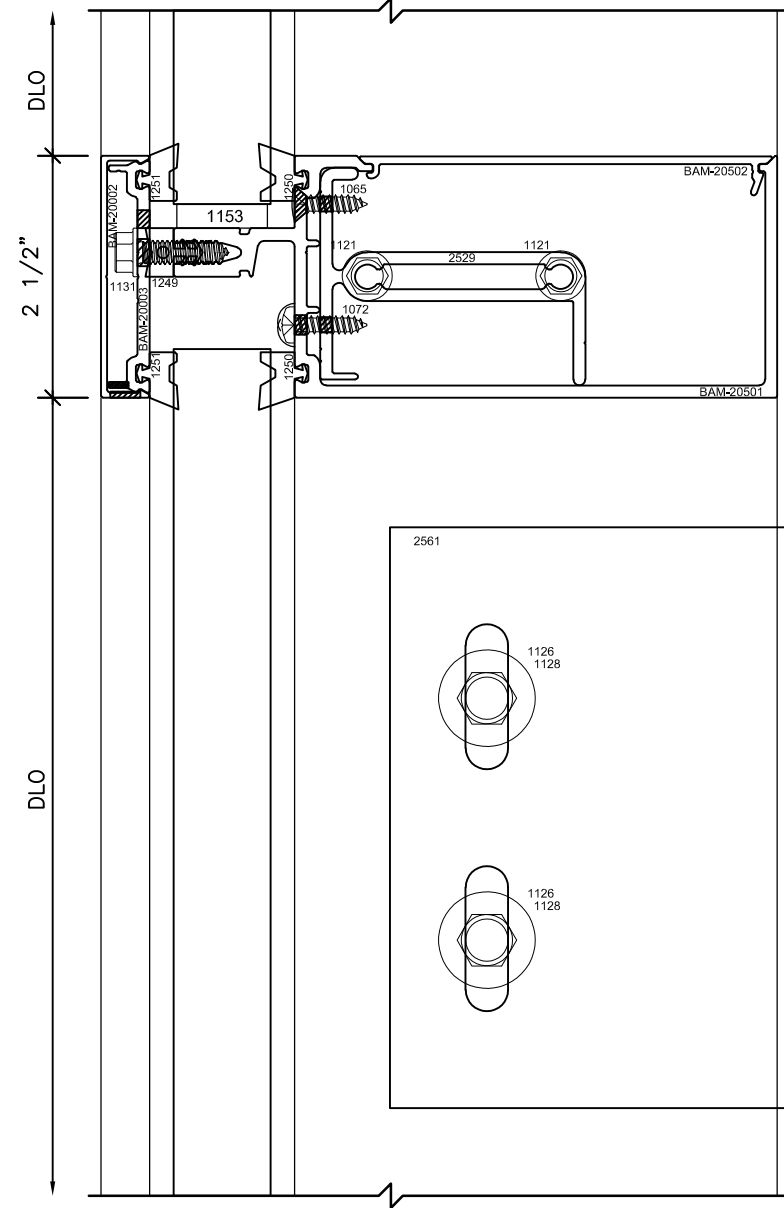


**2** DEAD LOAD  
ANCHOR  
SERIES: B2500 CW  
MISC:

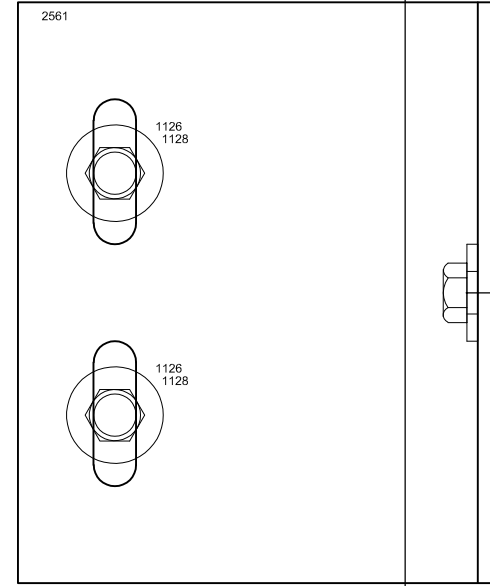


NOTE: EXAMPLE  
ANCHORS SHOWN.  
CONFIRM PROJECT  
REQUIREMENTS.  
(NBB)

**3** HORIZ  
SERIES: B2500 CW  
MISC:

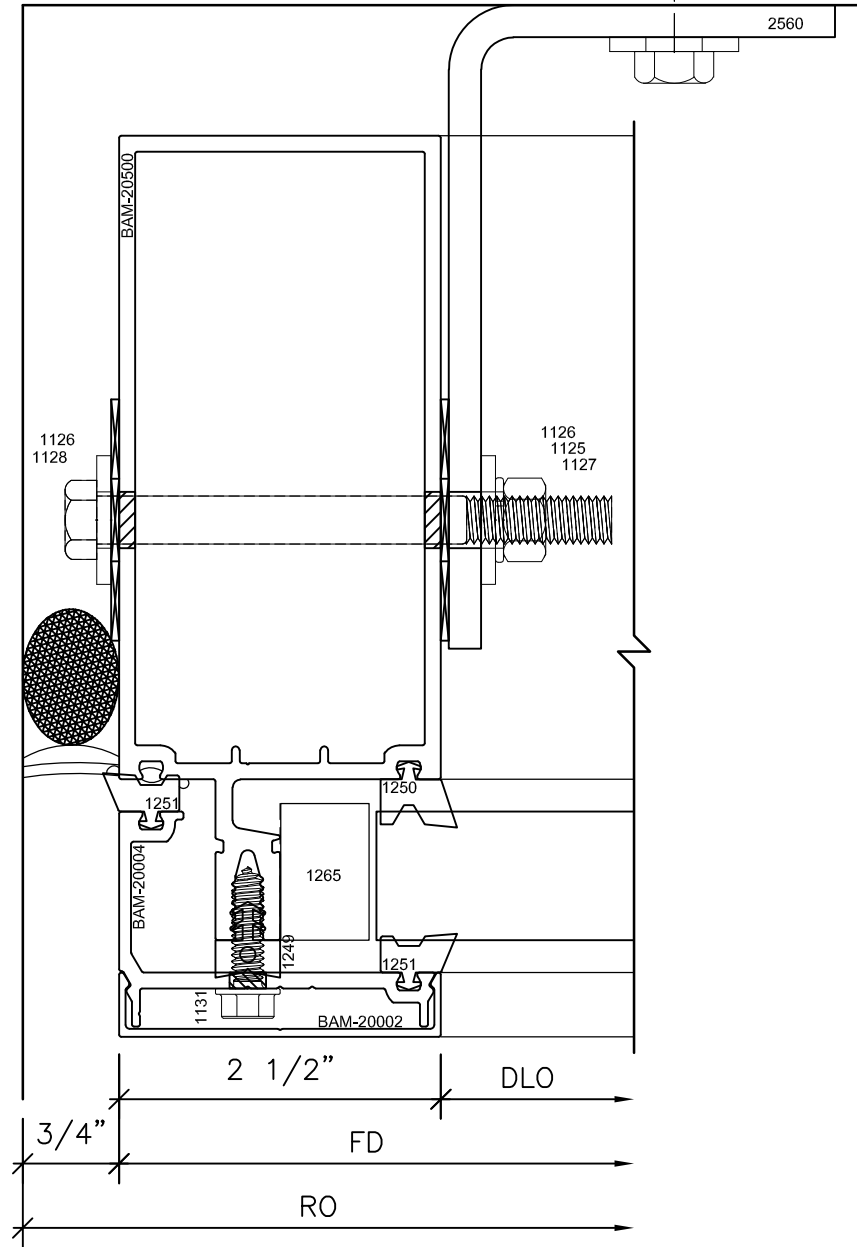


**2** WIND LOAD  
ANCHOR  
SERIES: B2500 CW  
MISC:

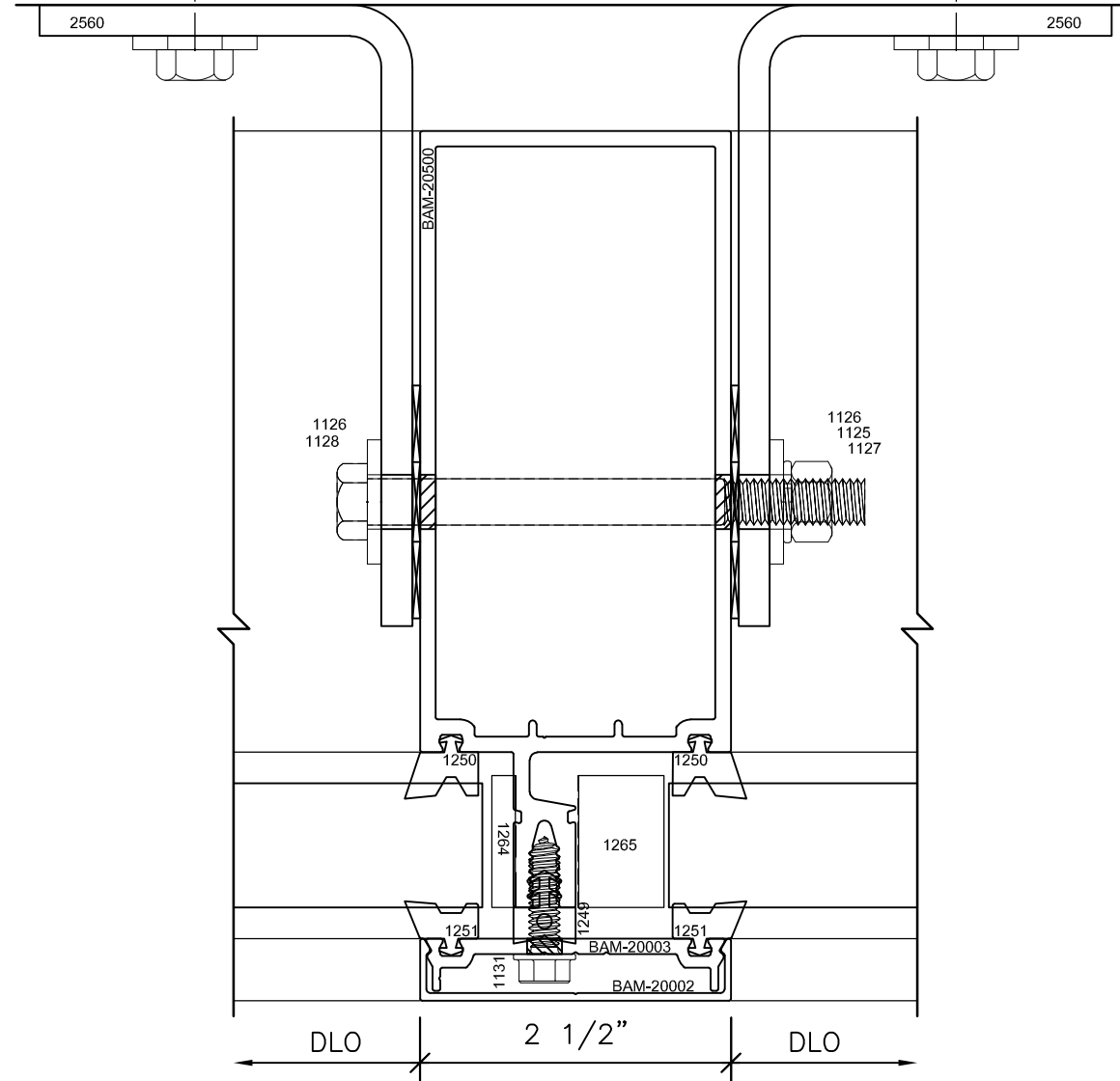


NOTE: EXAMPLE  
ANCHORS SHOWN.  
CONFIRM PROJECT  
REQUIREMENTS.  
(NBB)

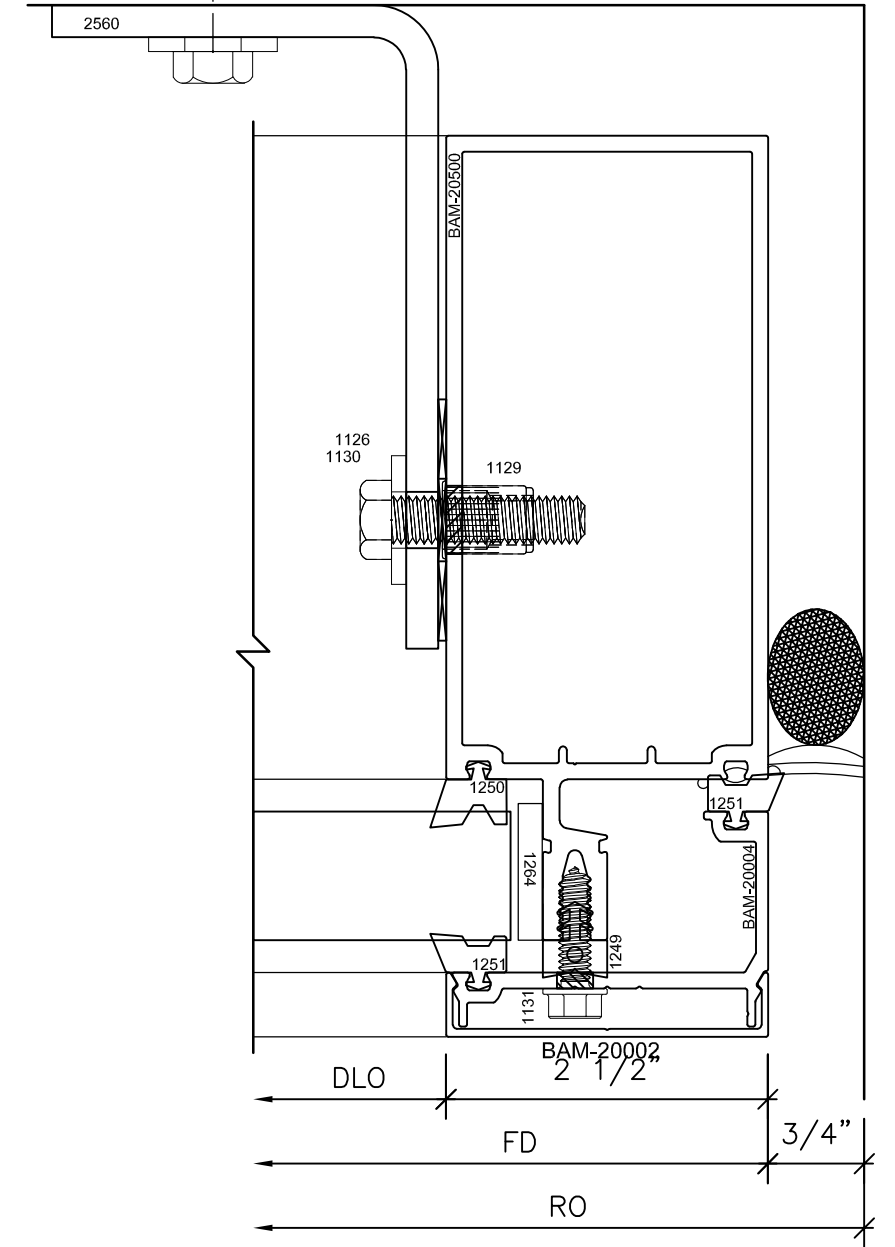
NOTE: EXAMPLE ANCHORS SHOWN. CONFIRM PROJECT REQUIREMENTS. (NBB)



NOTE: EXAMPLE ANCHORS SHOWN. CONFIRM PROJECT REQUIREMENTS. (NBB)



NOTE: EXAMPLE ANCHORS SHOWN. CONFIRM PROJECT REQUIREMENTS. (NBB)

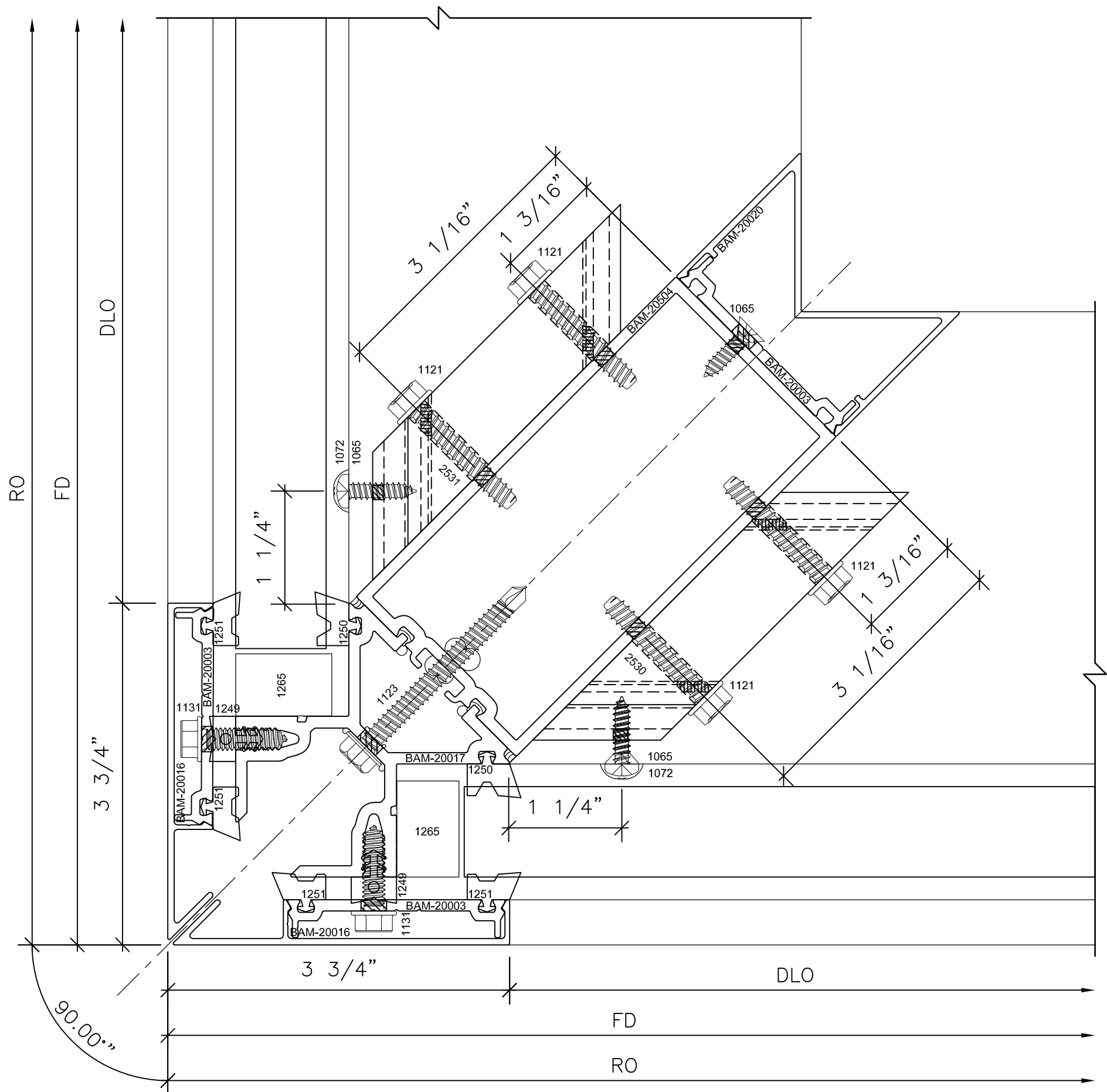


**4** JAMB  
SERIES: B2500 CW  
MISC:

**5** MULL  
SERIES: B2500 CW  
MISC:

**6** JAMB  
SERIES: B2500 CW  
MISC:

**5** CORNER MULL  
 SERIES: B2500 CW  
 MISC:

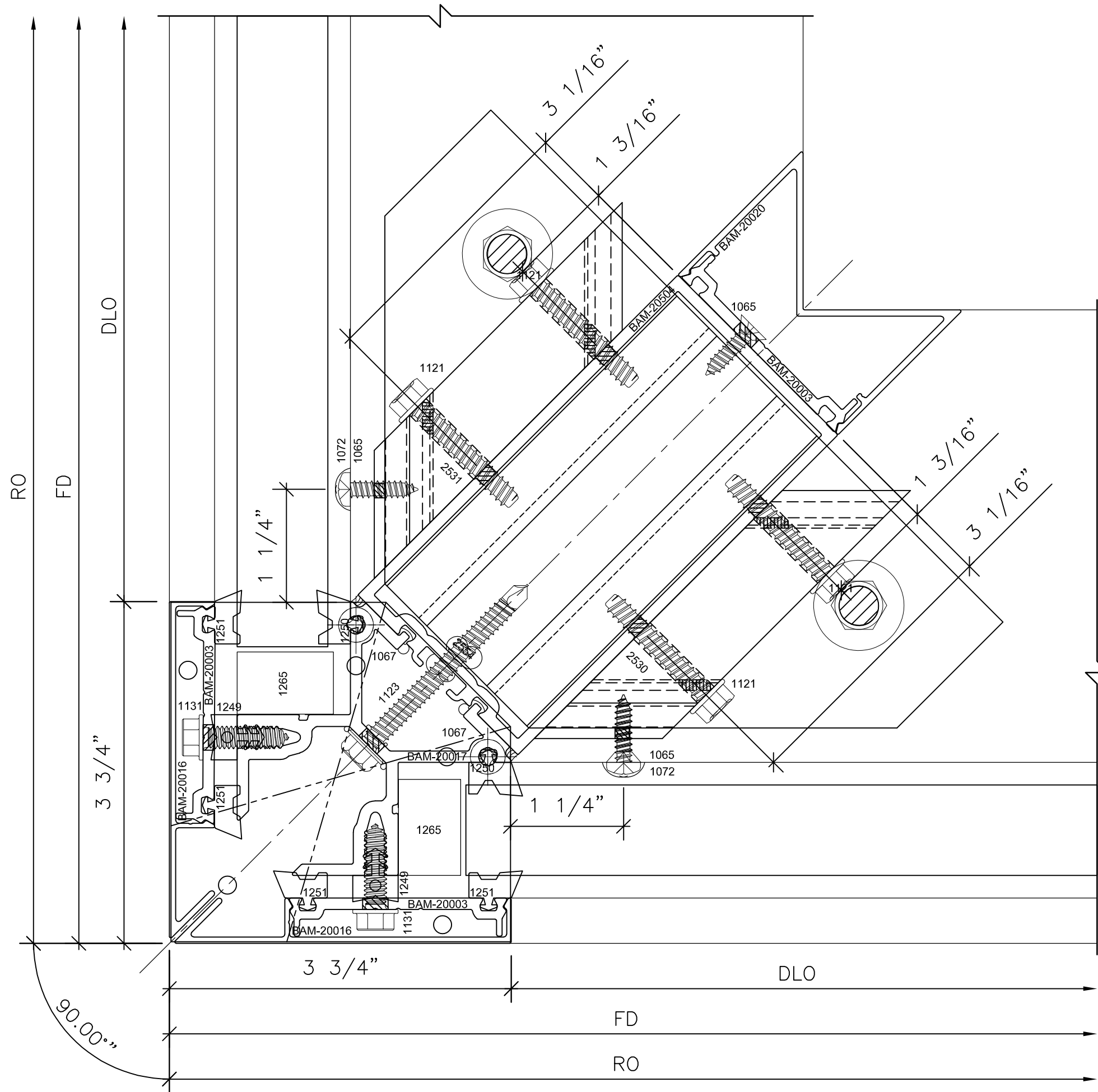


# 4

## CORNER MULL

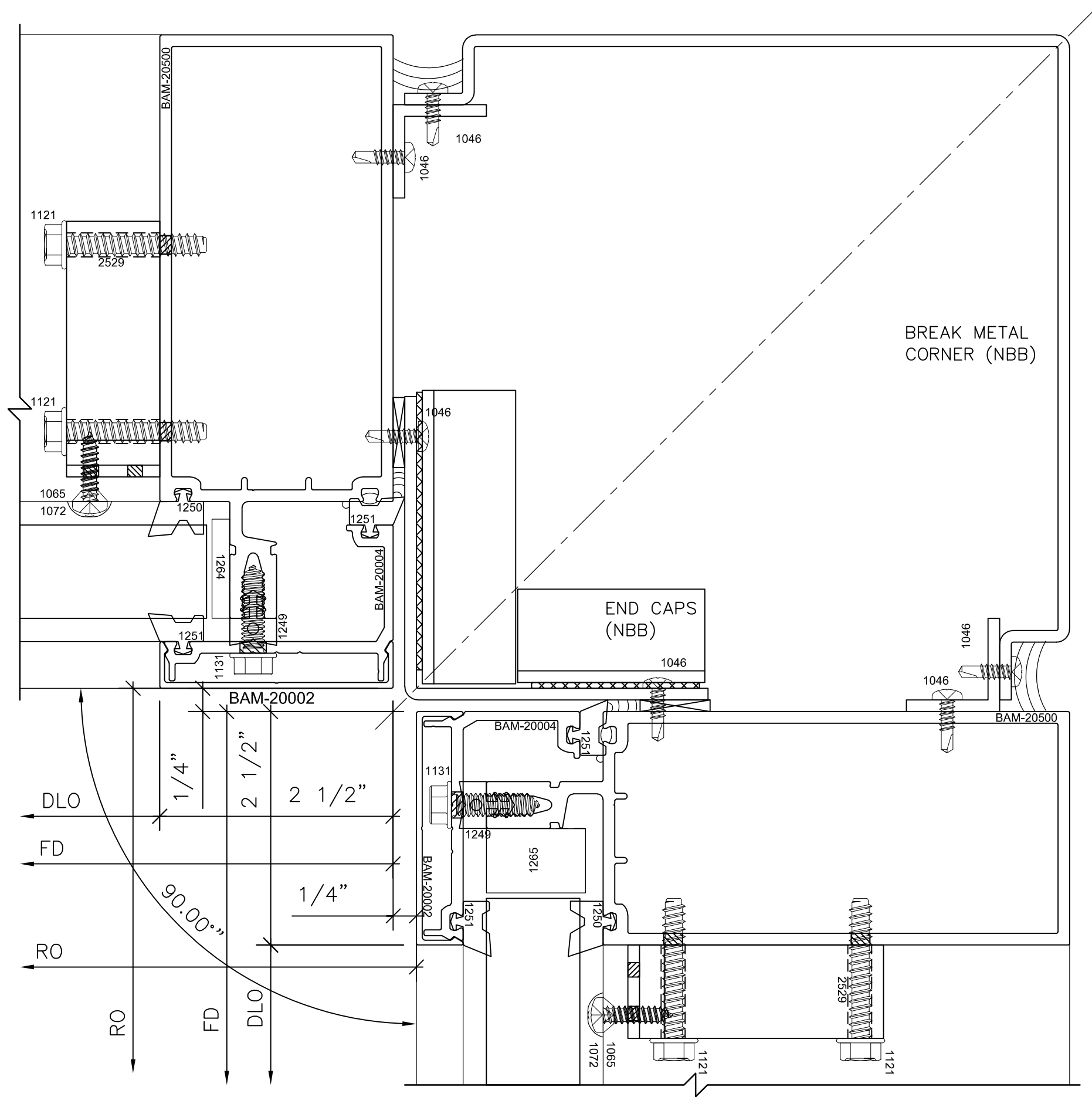
SERIES: B2500 CW  
MISC:

NOTE: EXAMPLE ANCHORS SHOWN. CONFIRM PROJECT REQUIREMENTS. (NBB)



**7**

**CORNER MULL**  
 SERIES: B2500 CW  
 MISC:



6

**CORNER MULL**

SERIES: B2500 CW  
MISC:

