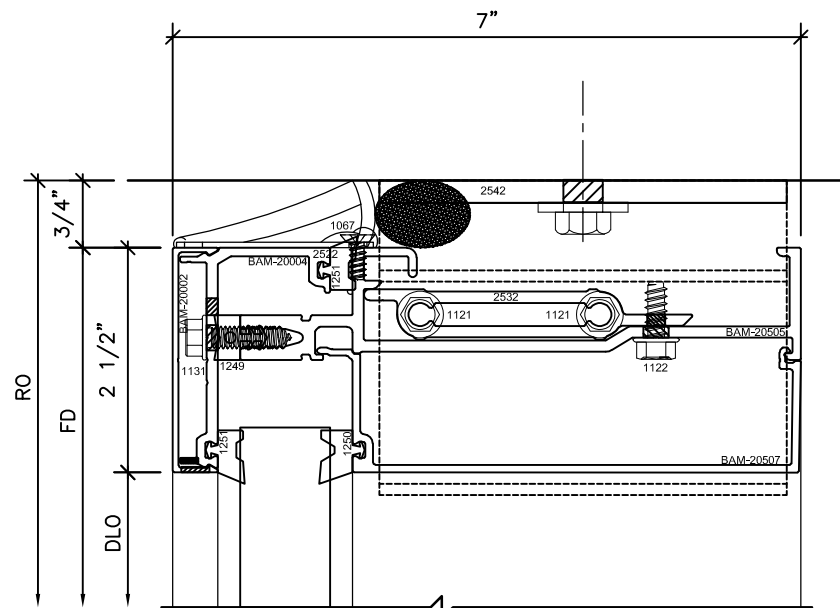
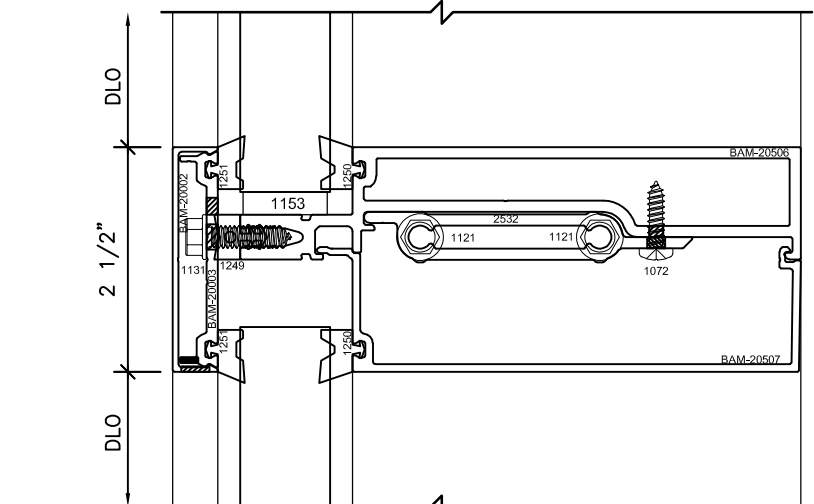


**3** HEAD  
 SERIES: B2500 CW  
 MISC:

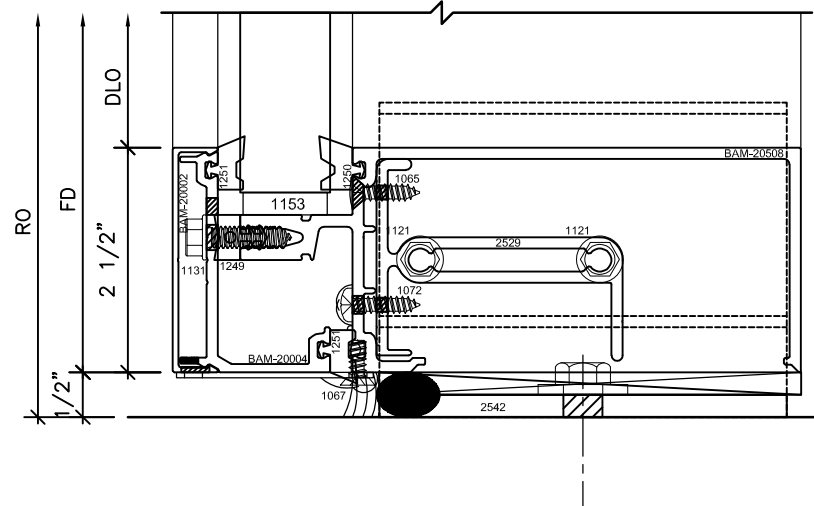


NOTE: EXAMPLE ANCHORS SHOWN. CONFIRM PROJECT REQUIREMENTS. (NBB)

**2** HORIZ  
 SERIES: B2500 CW  
 MISC:

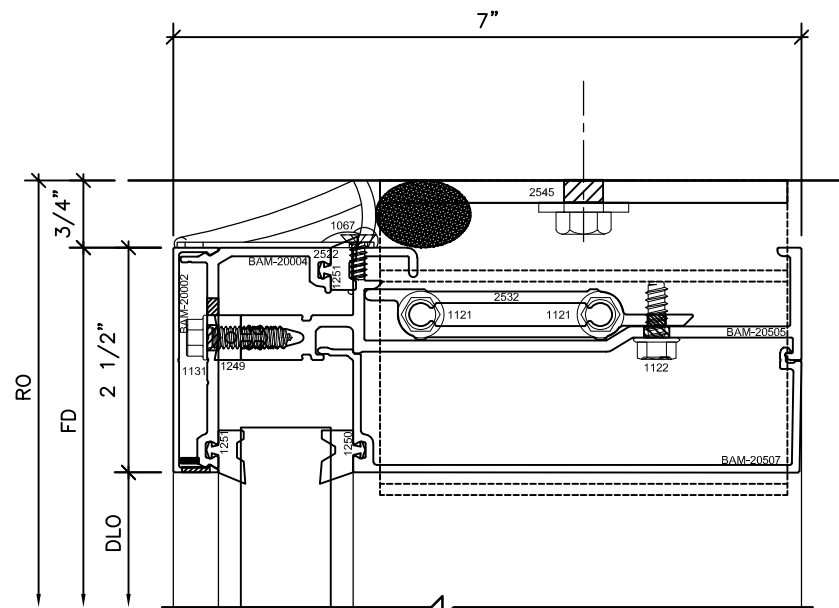


**1** SILL  
 SERIES: B2500 CW  
 MISC:



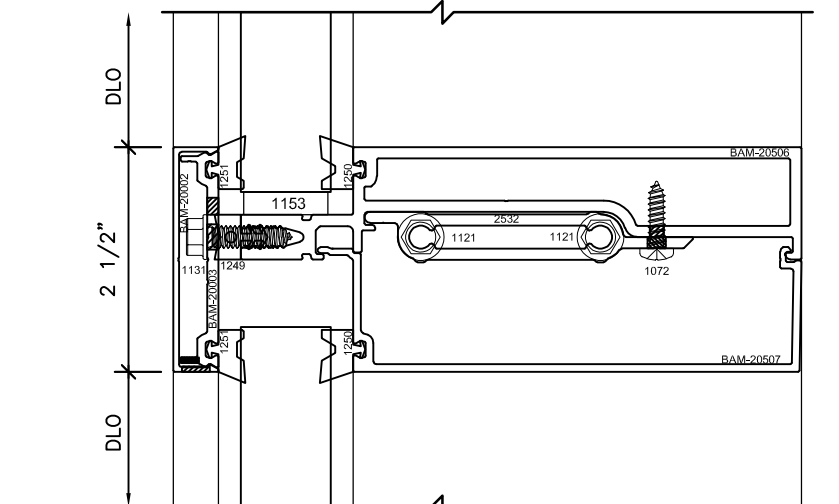
NOTE: EXAMPLE ANCHORS SHOWN. CONFIRM PROJECT REQUIREMENTS. (NBB)

**3** HEAD  
 SERIES: B2500 CW  
 MISC:

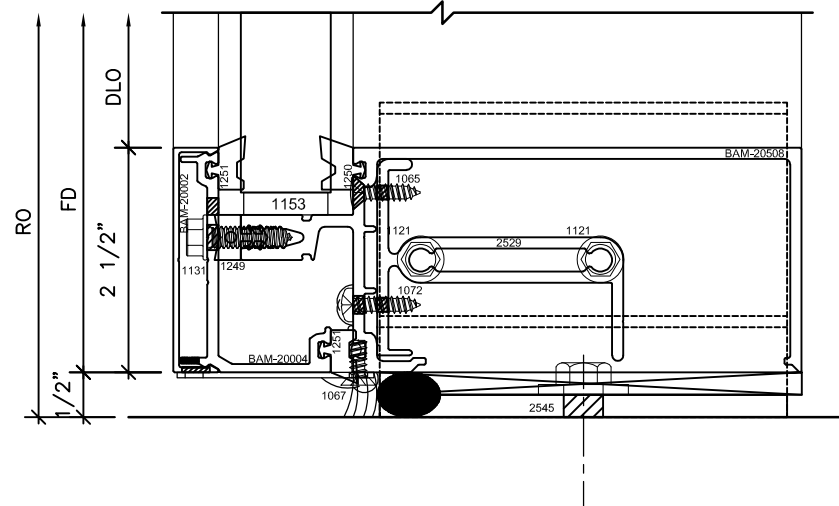


NOTE: EXAMPLE ANCHORS SHOWN. CONFIRM PROJECT REQUIREMENTS. (NBB)

**2** HORIZ  
 SERIES: B2500 CW  
 MISC:

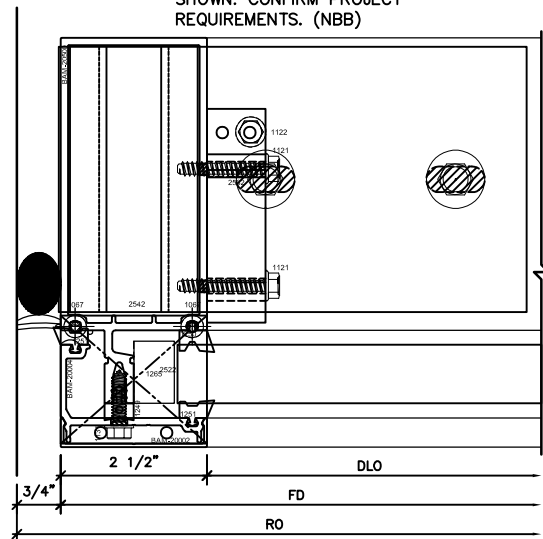


**1** SILL  
 SERIES: B2500 CW  
 MISC:



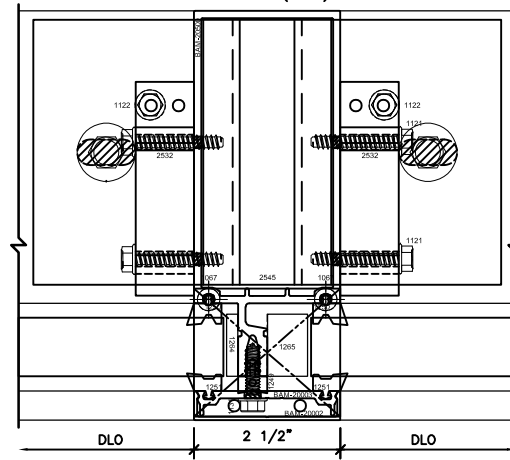
NOTE: EXAMPLE ANCHORS SHOWN. CONFIRM PROJECT REQUIREMENTS. (NBB)

NOTE: EXAMPLE ANCHORS SHOWN. CONFIRM PROJECT REQUIREMENTS. (NBB)



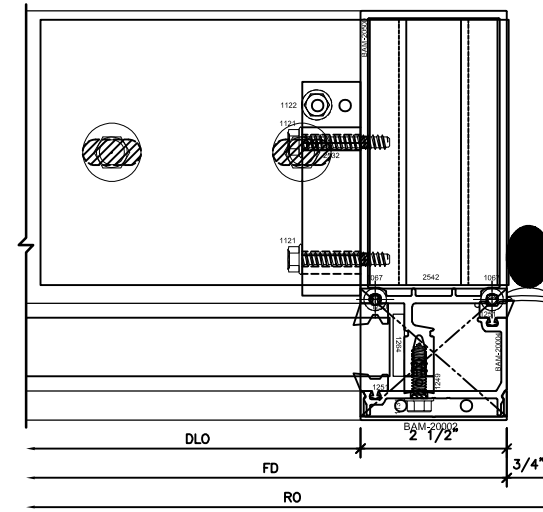
**4** JAMB  
SERIES: B2500 CW  
MISC:

NOTE: EXAMPLE ANCHORS SHOWN. CONFIRM PROJECT REQUIREMENTS. (NBB)

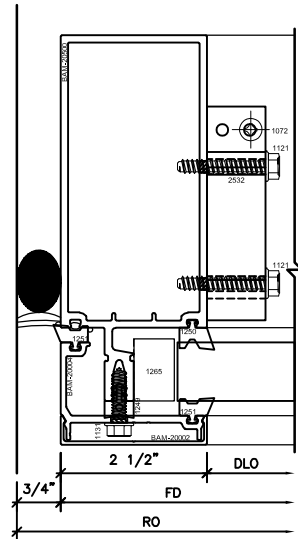


**5** MULL  
SERIES: B2500 CW  
MISC:

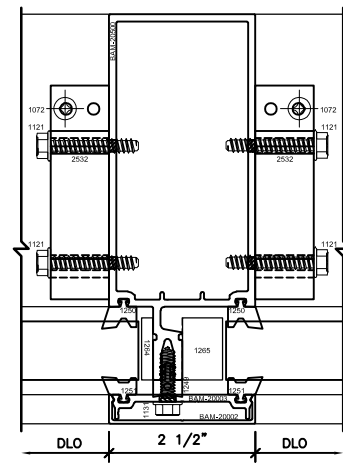
NOTE: EXAMPLE ANCHORS SHOWN. CONFIRM PROJECT REQUIREMENTS. (NBB)



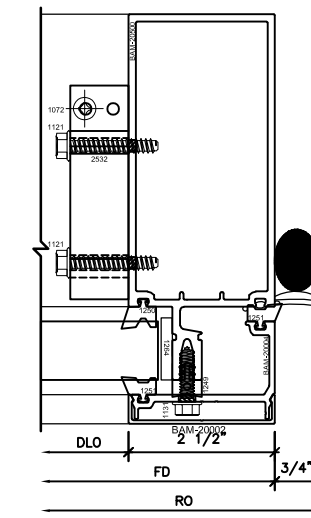
**6** JAMB  
SERIES: B2500 CW  
MISC:



**4** JAMB  
SERIES: B2500 CW  
MISC:

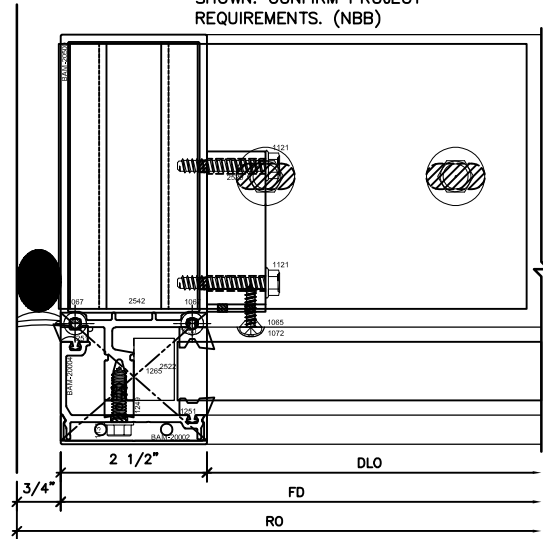


**5** MULL  
SERIES: B2500 CW  
MISC:



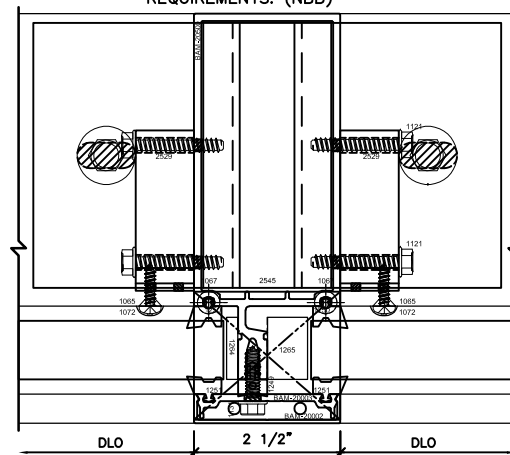
**6** JAMB  
SERIES: B2500 CW  
MISC:

NOTE: EXAMPLE ANCHORS SHOWN. CONFIRM PROJECT REQUIREMENTS. (NBB)



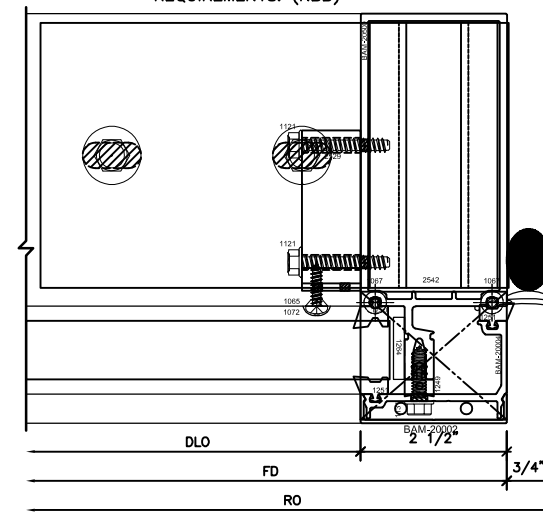
**4** JAMB  
SERIES: B2500 CW  
MISC:

NOTE: EXAMPLE ANCHORS SHOWN. CONFIRM PROJECT REQUIREMENTS. (NBB)



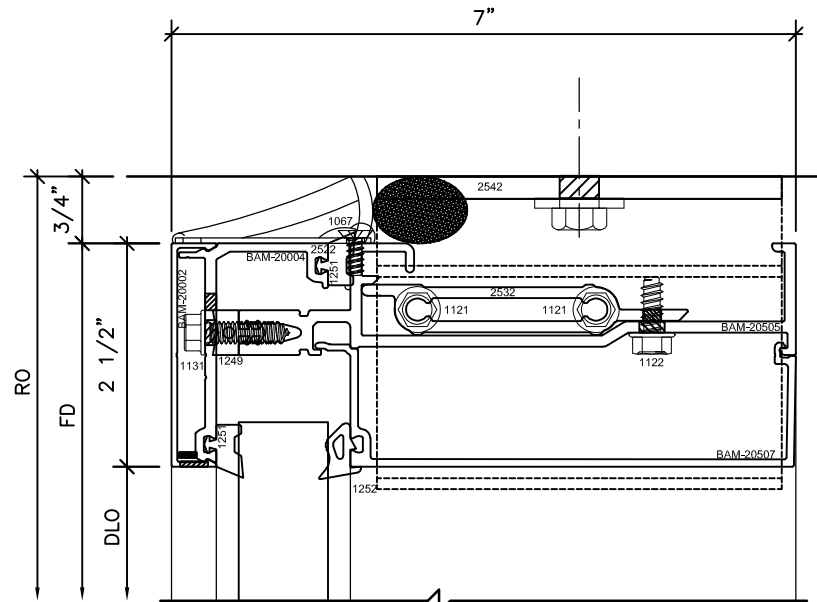
**5** MULL  
SERIES: B2500 CW  
MISC:

NOTE: EXAMPLE ANCHORS SHOWN. CONFIRM PROJECT REQUIREMENTS. (NBB)



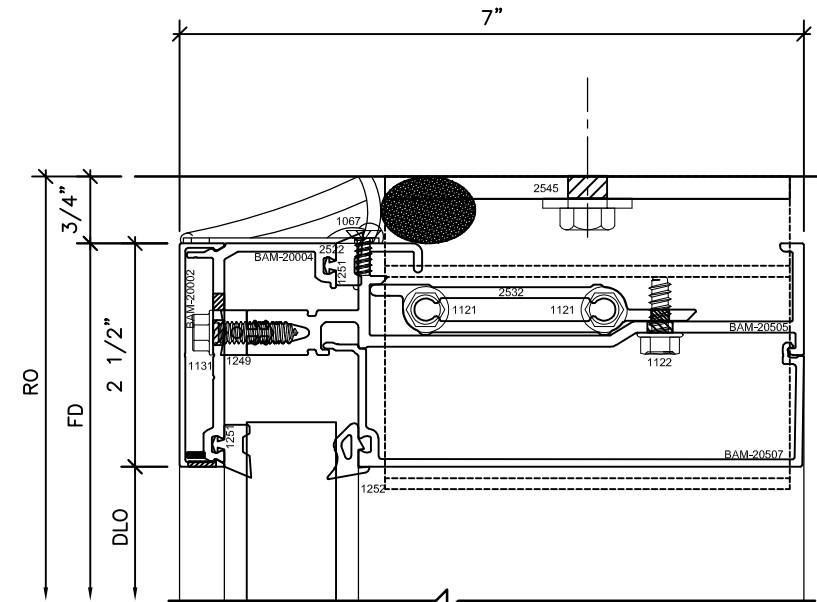
**6** JAMB  
SERIES: B2500 CW  
MISC:

**3** HEAD  
 SERIES: B2500 CW  
 MISC:



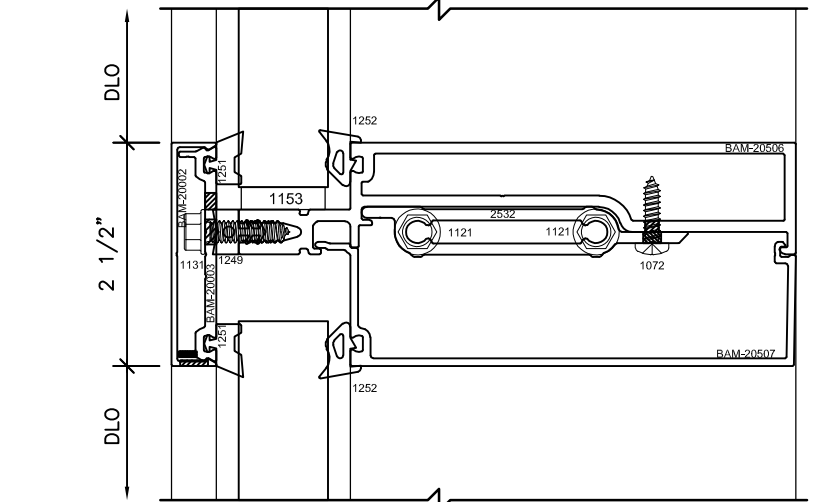
NOTE: EXAMPLE  
 ANCHORS SHOWN.  
 CONFIRM PROJECT  
 REQUIREMENTS.  
 (NBB)

**3** HEAD  
 SERIES: B2500 CW  
 MISC:

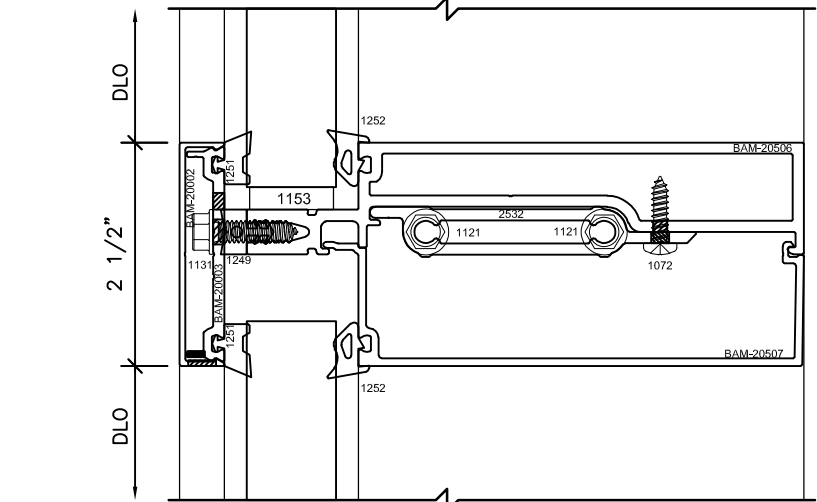


NOTE: EXAMPLE  
 ANCHORS SHOWN.  
 CONFIRM PROJECT  
 REQUIREMENTS.  
 (NBB)

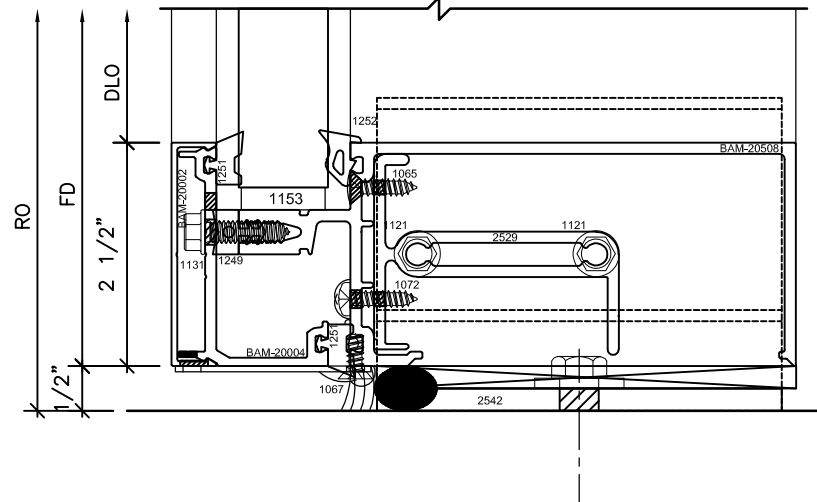
**2** HORIZ  
 SERIES: B2500 CW  
 MISC:



**2** HORIZ  
 SERIES: B2500 CW  
 MISC:

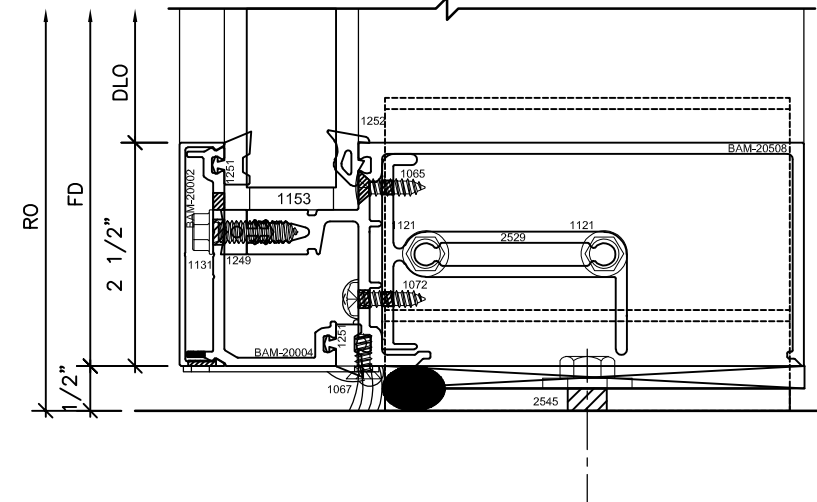


**1** SILL  
 SERIES: B2500 CW  
 MISC:



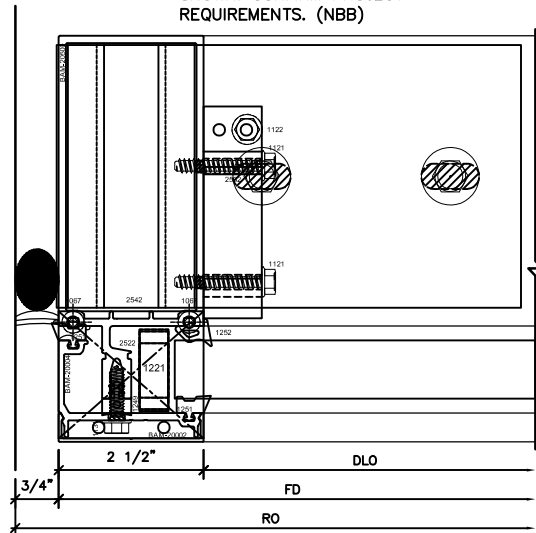
NOTE: EXAMPLE  
 ANCHORS SHOWN.  
 CONFIRM PROJECT  
 REQUIREMENTS.  
 (NBB)

**1** SILL  
 SERIES: B2500 CW  
 MISC:



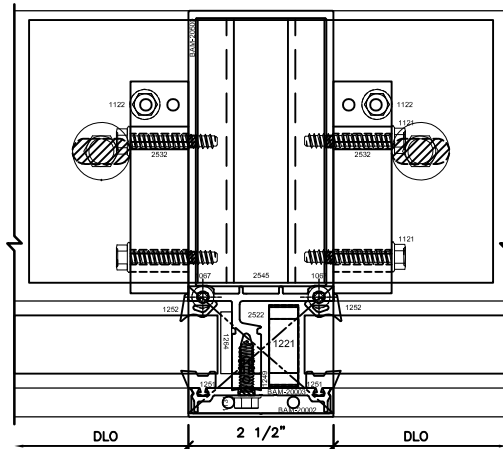
NOTE: EXAMPLE  
 ANCHORS SHOWN.  
 CONFIRM PROJECT  
 REQUIREMENTS.  
 (NBB)

NOTE: EXAMPLE ANCHORS SHOWN. CONFIRM PROJECT REQUIREMENTS. (NBB)



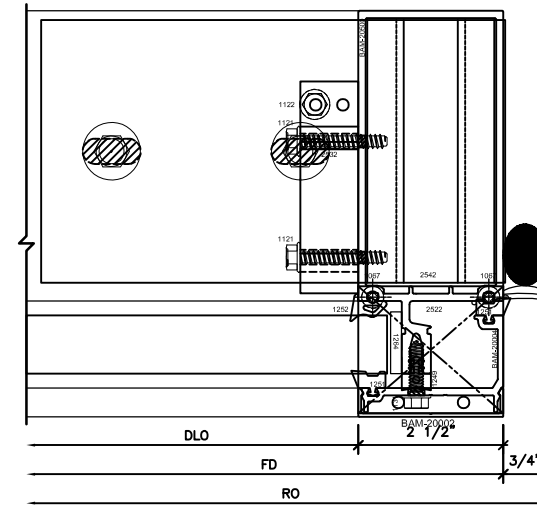
**4 JAMB**  
SERIES: B2500 CW  
MISC:

NOTE: EXAMPLE ANCHORS SHOWN. CONFIRM PROJECT REQUIREMENTS. (NBB)

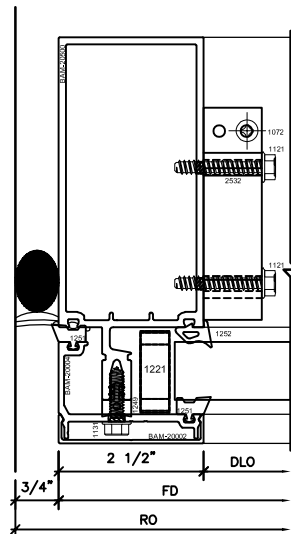


**5 MULL**  
SERIES: B2500 CW  
MISC:

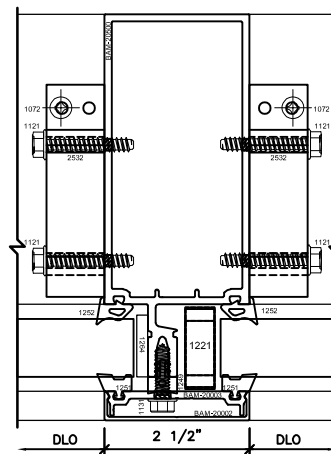
NOTE: EXAMPLE ANCHORS SHOWN. CONFIRM PROJECT REQUIREMENTS. (NBB)



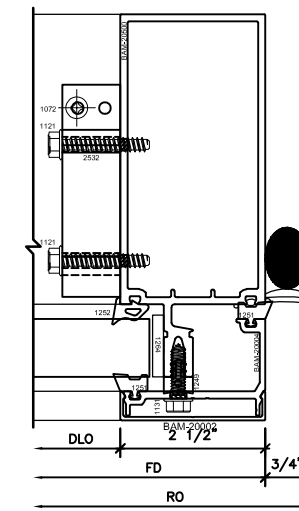
**6 JAMB**  
SERIES: B2500 CW  
MISC:



**4 JAMB**  
SERIES: B2500 CW  
MISC:

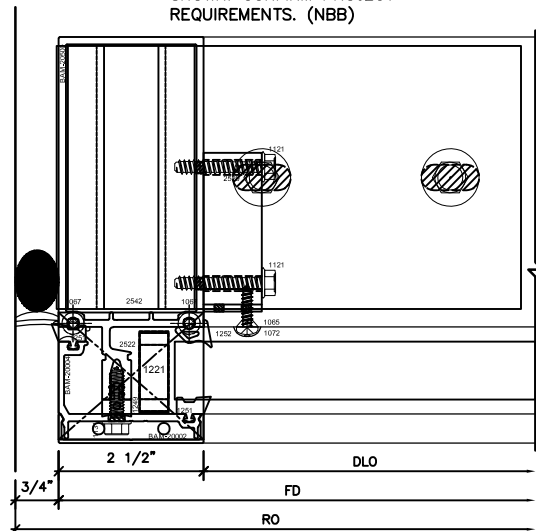


**5 MULL**  
SERIES: B2500 CW  
MISC:



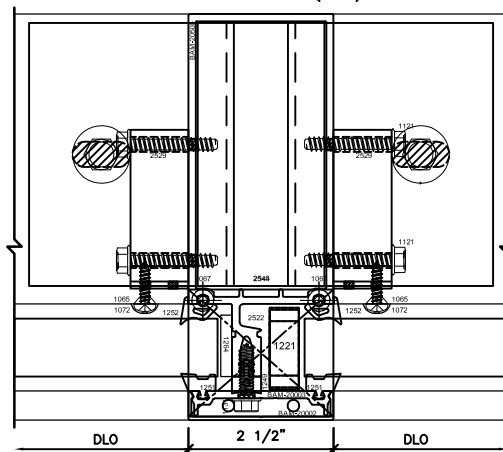
**6 JAMB**  
SERIES: B2500 CW  
MISC:

NOTE: EXAMPLE ANCHORS SHOWN. CONFIRM PROJECT REQUIREMENTS. (NBB)



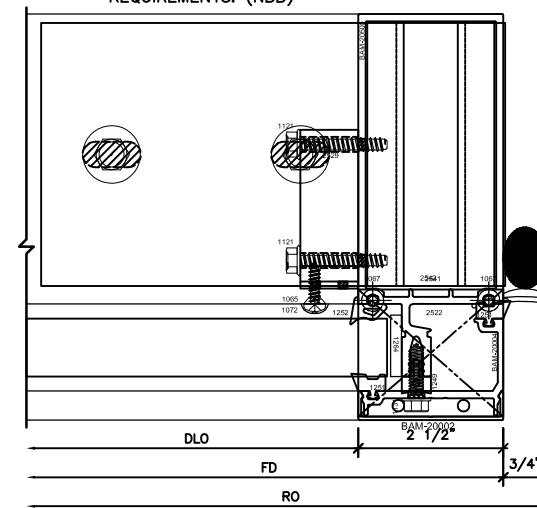
**4 JAMB**  
SERIES: B2500 CW  
MISC:

NOTE: EXAMPLE ANCHORS SHOWN. CONFIRM PROJECT REQUIREMENTS. (NBB)



**5 MULL**  
SERIES: B2500 CW  
MISC:

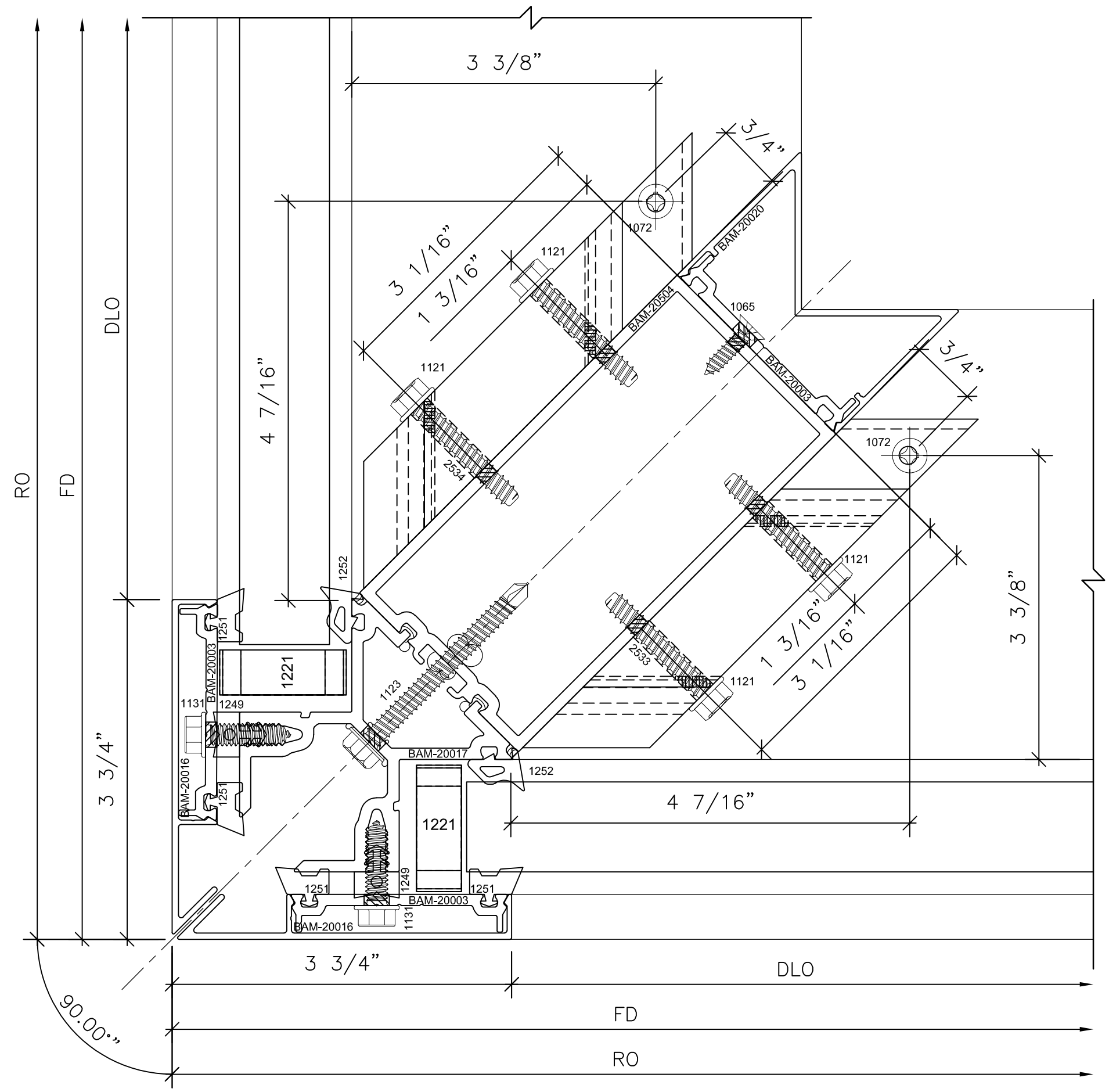
NOTE: EXAMPLE ANCHORS SHOWN. CONFIRM PROJECT REQUIREMENTS. (NBB)



**6 JAMB**  
SERIES: B2500 CW  
MISC:

**5**

**CORNER MULL**  
SERIES: B2500 CW  
MISC:



4

CORNER MULL

SERIES: B2500 CW

MISC:

NOTE: EXAMPLE ANCHORS SHOWN. CONFIRM PROJECT REQUIREMENTS. (NBB)

