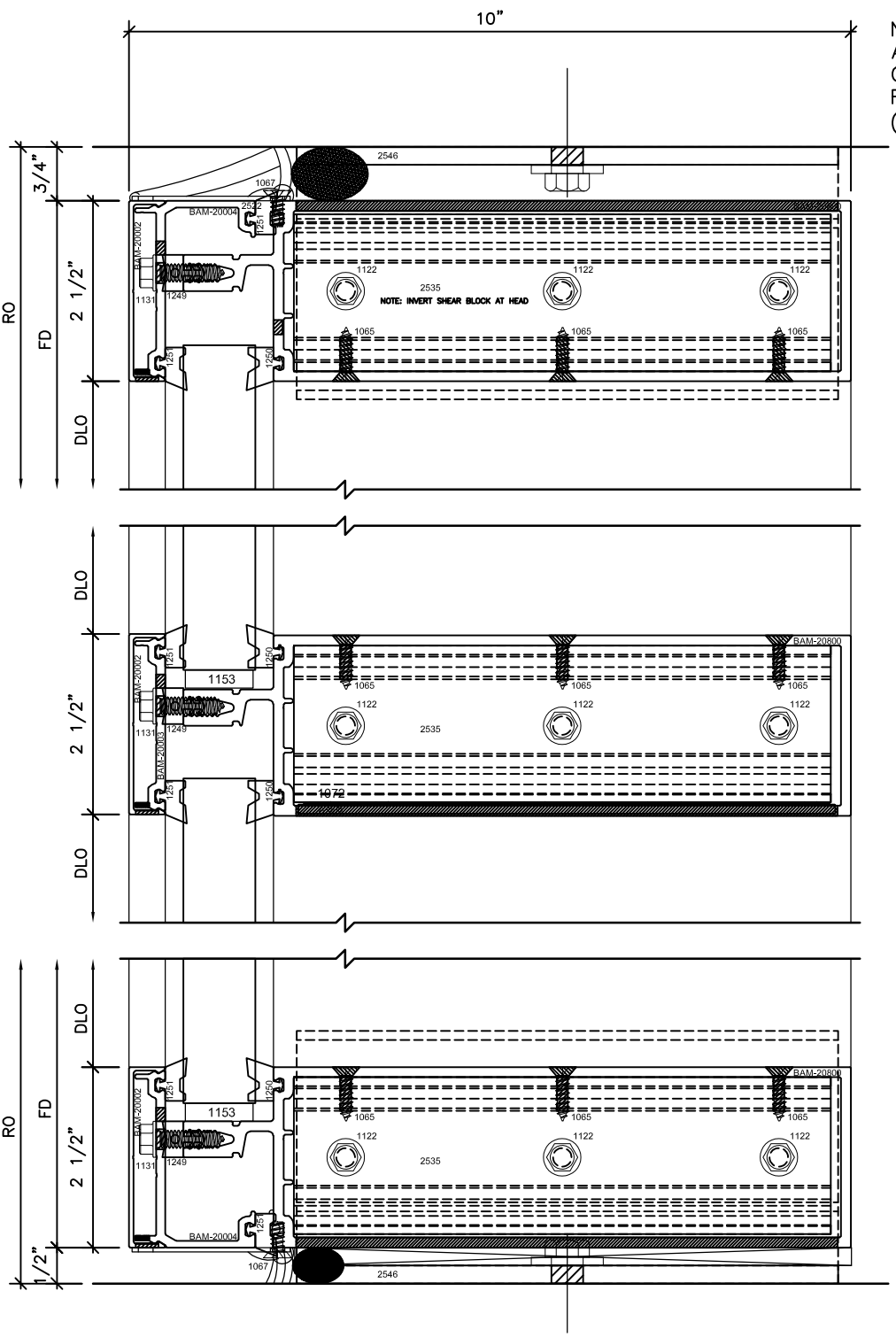


3 HEAD
 SERIES: B2500 CW
 MISC:

2 HORIZ
 SERIES: B2500 CW
 MISC:

1 SILL
 SERIES: B2500 CW
 MISC:

NOTE: EXAMPLE ANCHORS SHOWN. CONFIRM PROJECT REQUIREMENTS. (NBB)



3 HEAD
 SERIES: B2500 CW
 MISC:

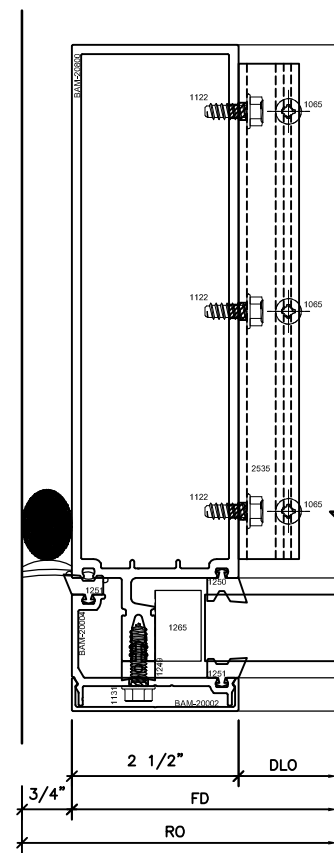
2 HORIZ
 SERIES: B2500 CW
 MISC:

1 SILL
 SERIES: B2500 CW
 MISC:

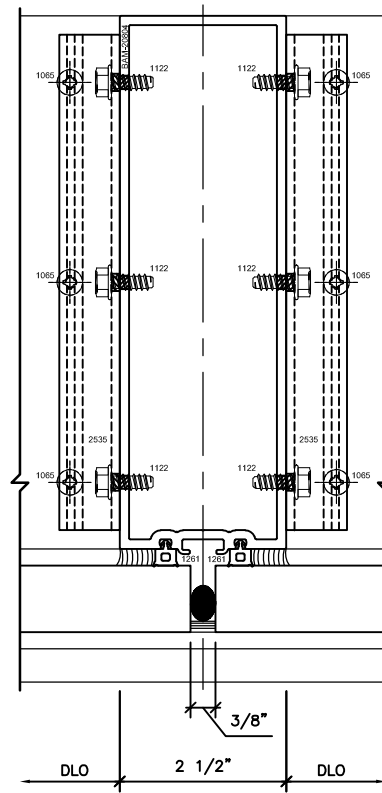
NOTE: EXAMPLE ANCHORS SHOWN. CONFIRM PROJECT REQUIREMENTS. (NBB)

NOTE: EXAMPLE ANCHORS SHOWN. CONFIRM PROJECT REQUIREMENTS. (NBB)

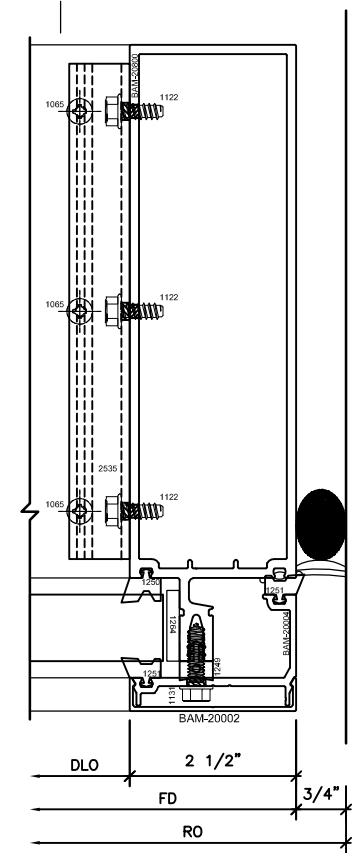
NOTE: EXAMPLE ANCHORS SHOWN. CONFIRM PROJECT REQUIREMENTS. (NBB)



4 JAMB
 SERIES: B2500 CW
 MISC:

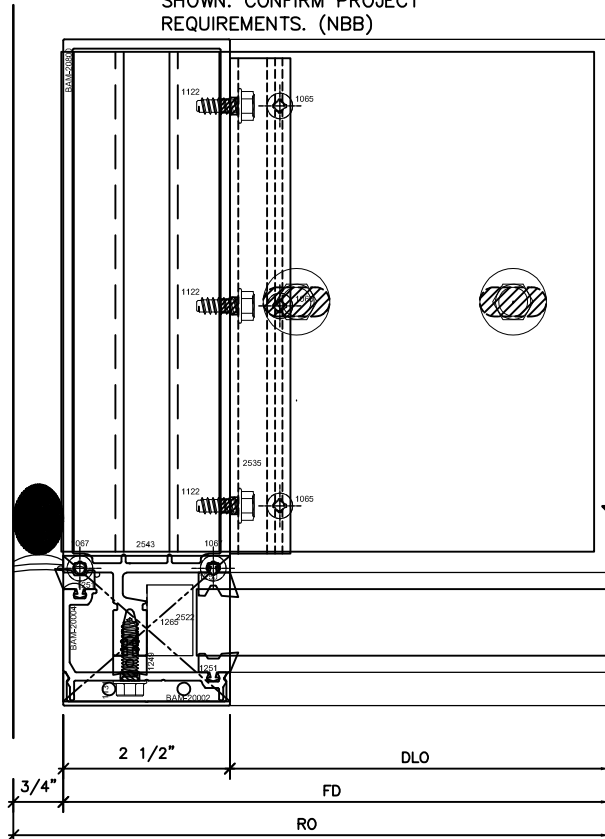


5 MULL SSG
 SERIES: B2500 CW
 MISC:



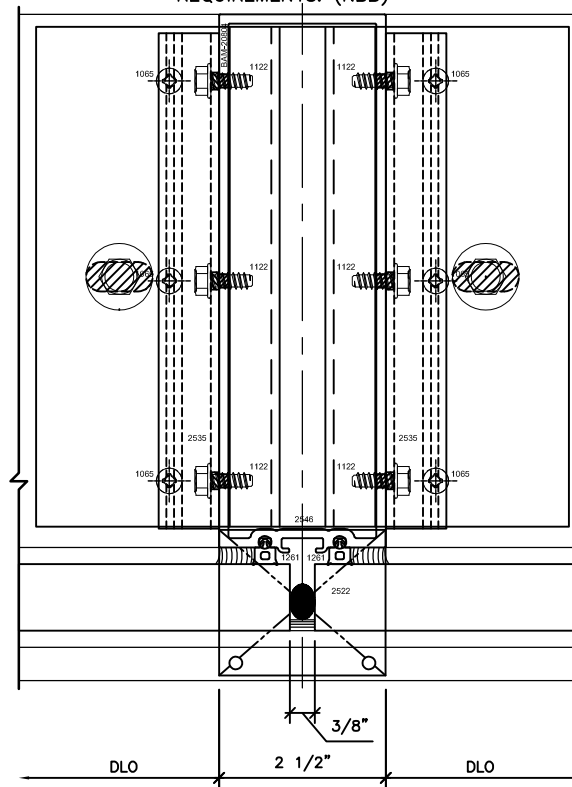
6 JAMB
 SERIES: B2500 CW
 MISC:

NOTE: EXAMPLE ANCHORS SHOWN. CONFIRM PROJECT REQUIREMENTS. (NBB)



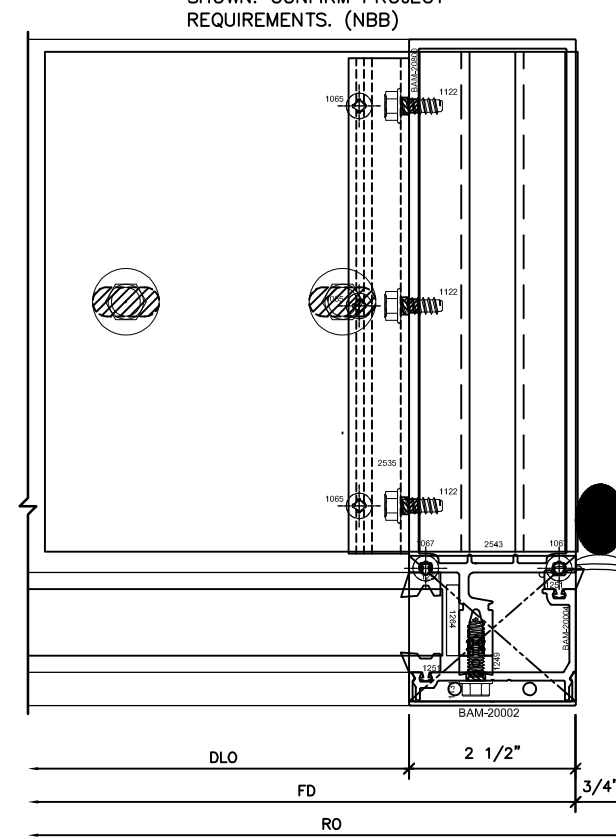
4 JAMB
 SERIES: B2500 CW
 MISC:

NOTE: EXAMPLE ANCHORS SHOWN. CONFIRM PROJECT REQUIREMENTS. (NBB)

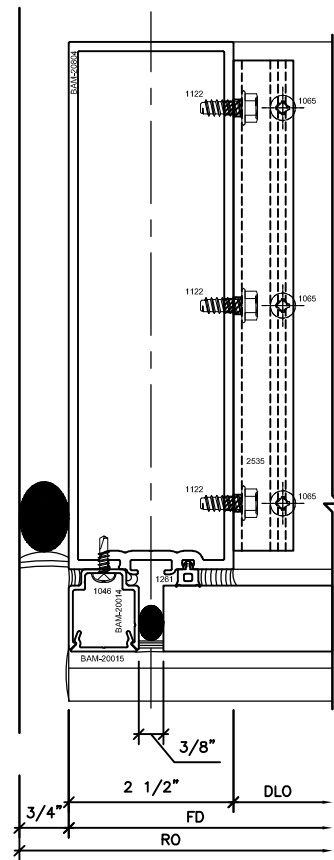


5 MULL SSG
 SERIES: B2500 CW
 MISC:

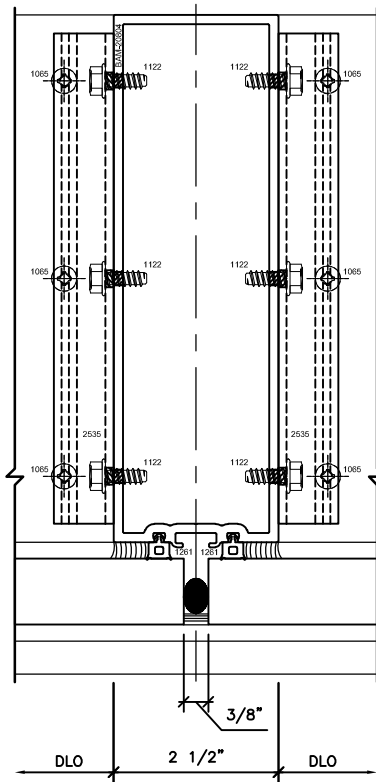
NOTE: EXAMPLE ANCHORS SHOWN. CONFIRM PROJECT REQUIREMENTS. (NBB)



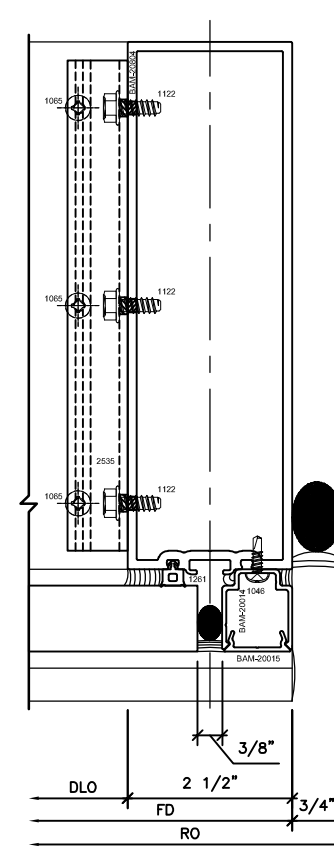
6 JAMB
 SERIES: B2500 CW
 MISC:



4 JAMB
 SERIES: B2500 CW
 MISC:

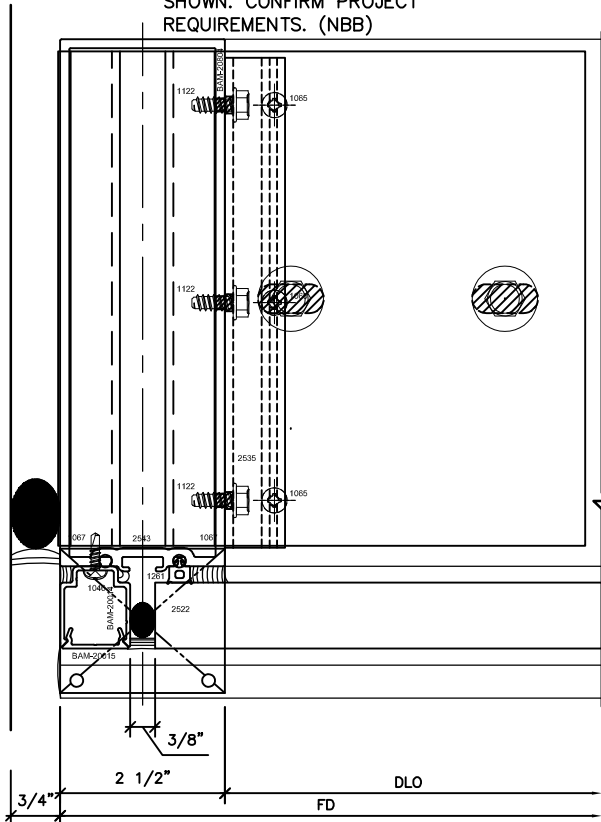


5 MULL
 SERIES: B2500 CW
 MISC:



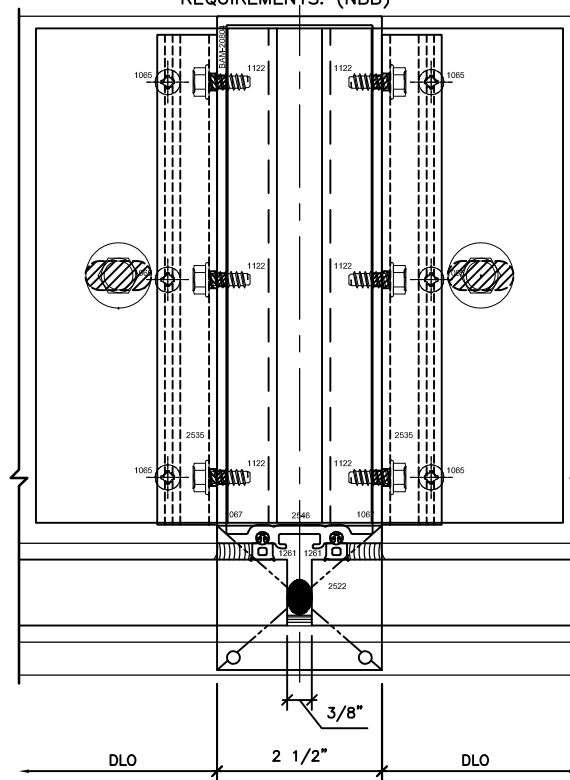
6 JAMB
 SERIES: B2500 CW
 MISC:

NOTE: EXAMPLE ANCHORS SHOWN. CONFIRM PROJECT REQUIREMENTS. (NBB)



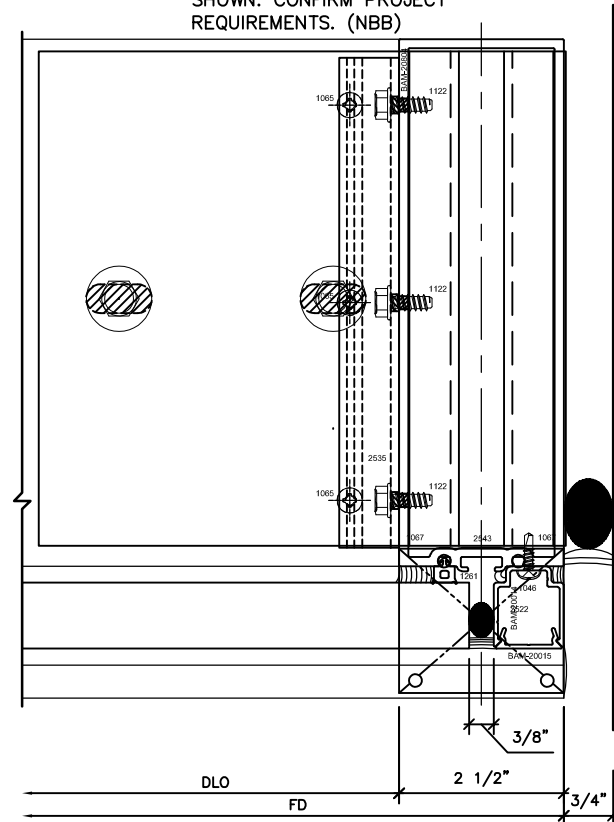
4 JAMB
 SERIES: B2500 CW
 MISC:

NOTE: EXAMPLE ANCHORS SHOWN. CONFIRM PROJECT REQUIREMENTS. (NBB)



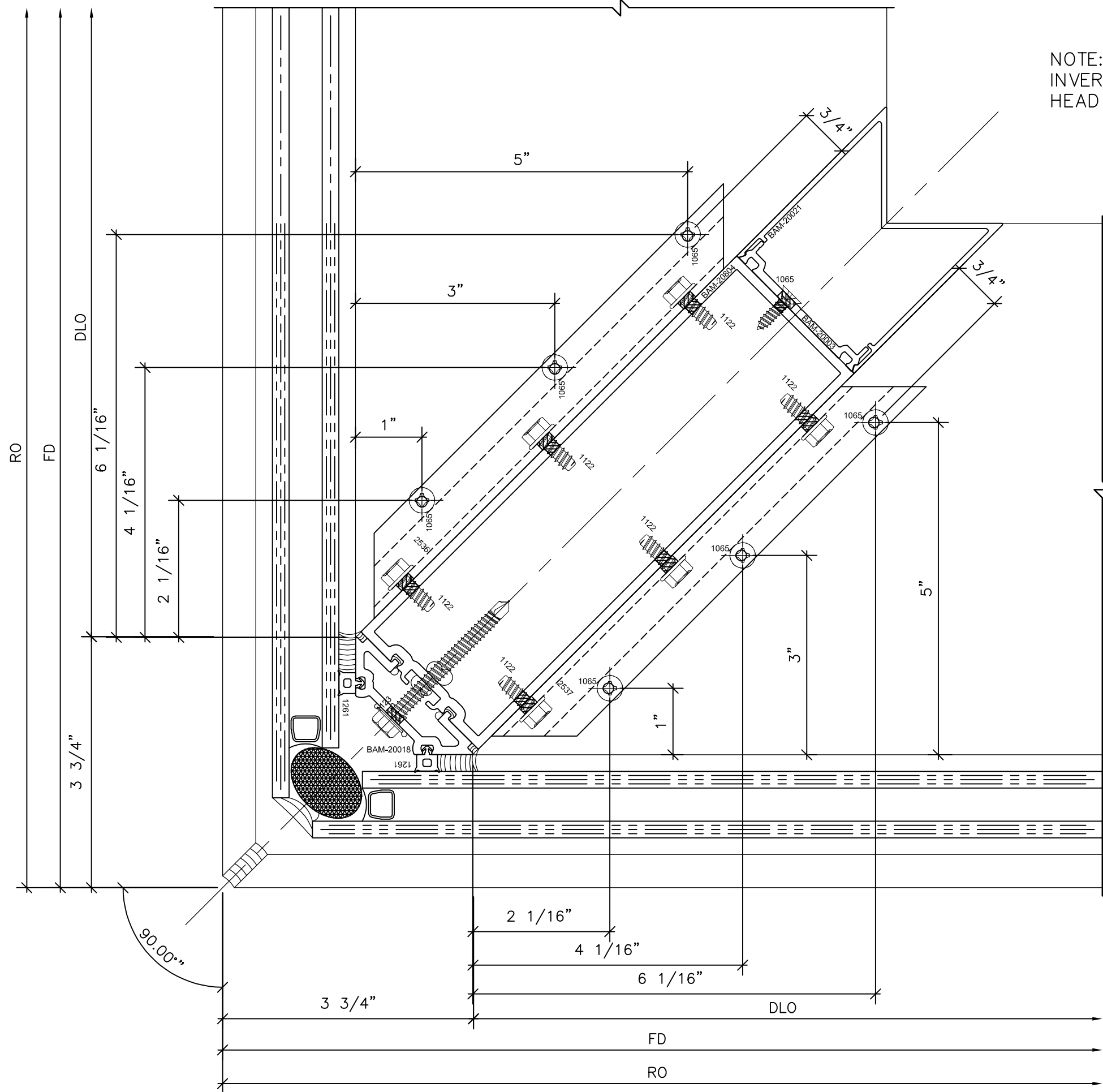
5 MULL
 SERIES: B2500 CW
 MISC:

NOTE: EXAMPLE ANCHORS SHOWN. CONFIRM PROJECT REQUIREMENTS. (NBB)



6 JAMB
 SERIES: B2500 CW
 MISC:

NOTE: EXPOSED FASTENERS
INVERT SHEAR BLOCK AT
HEAD



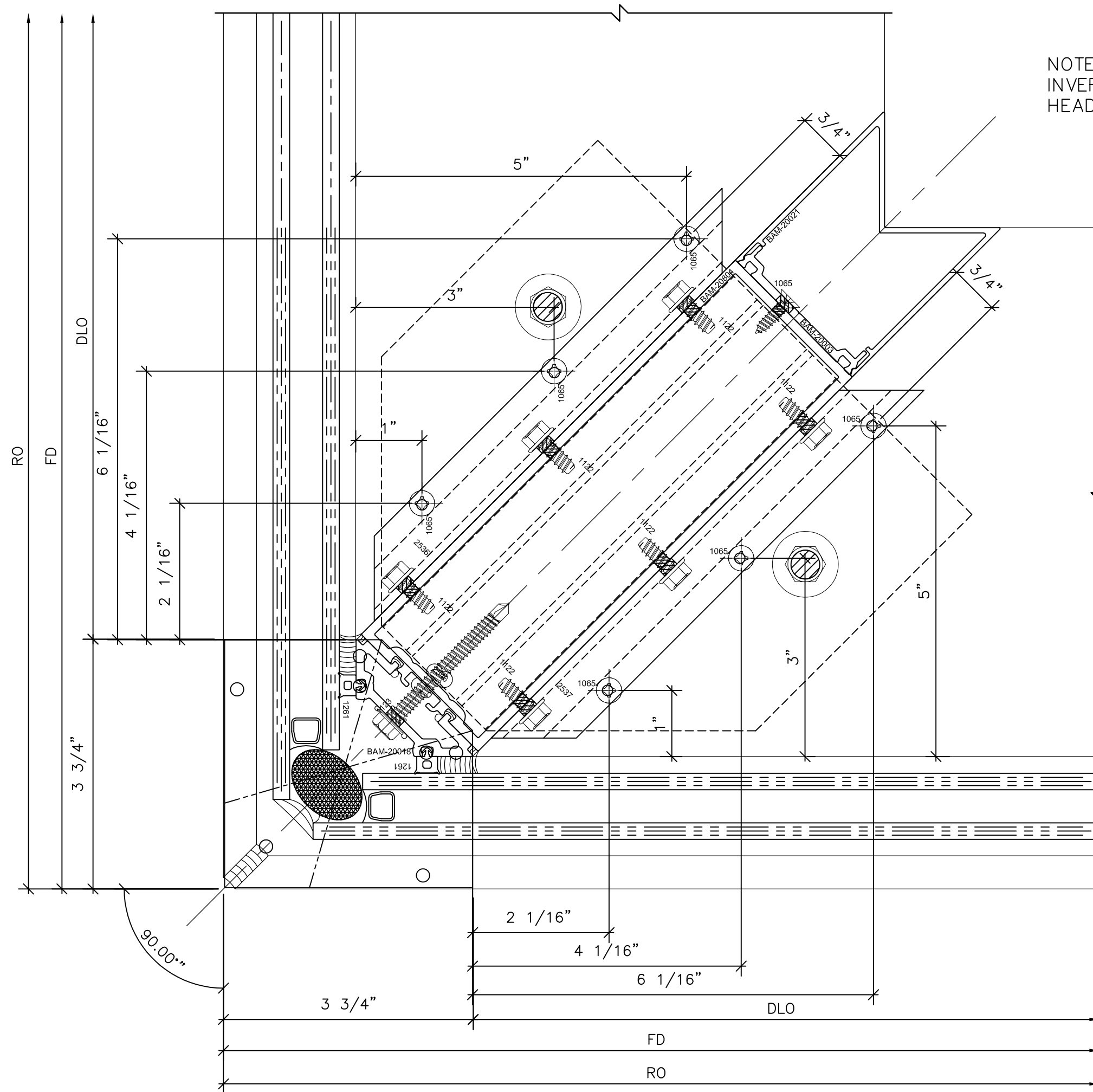
5 CORNER MULL
SERIES: B2500 CW
MISC:

4

CORNER MULL

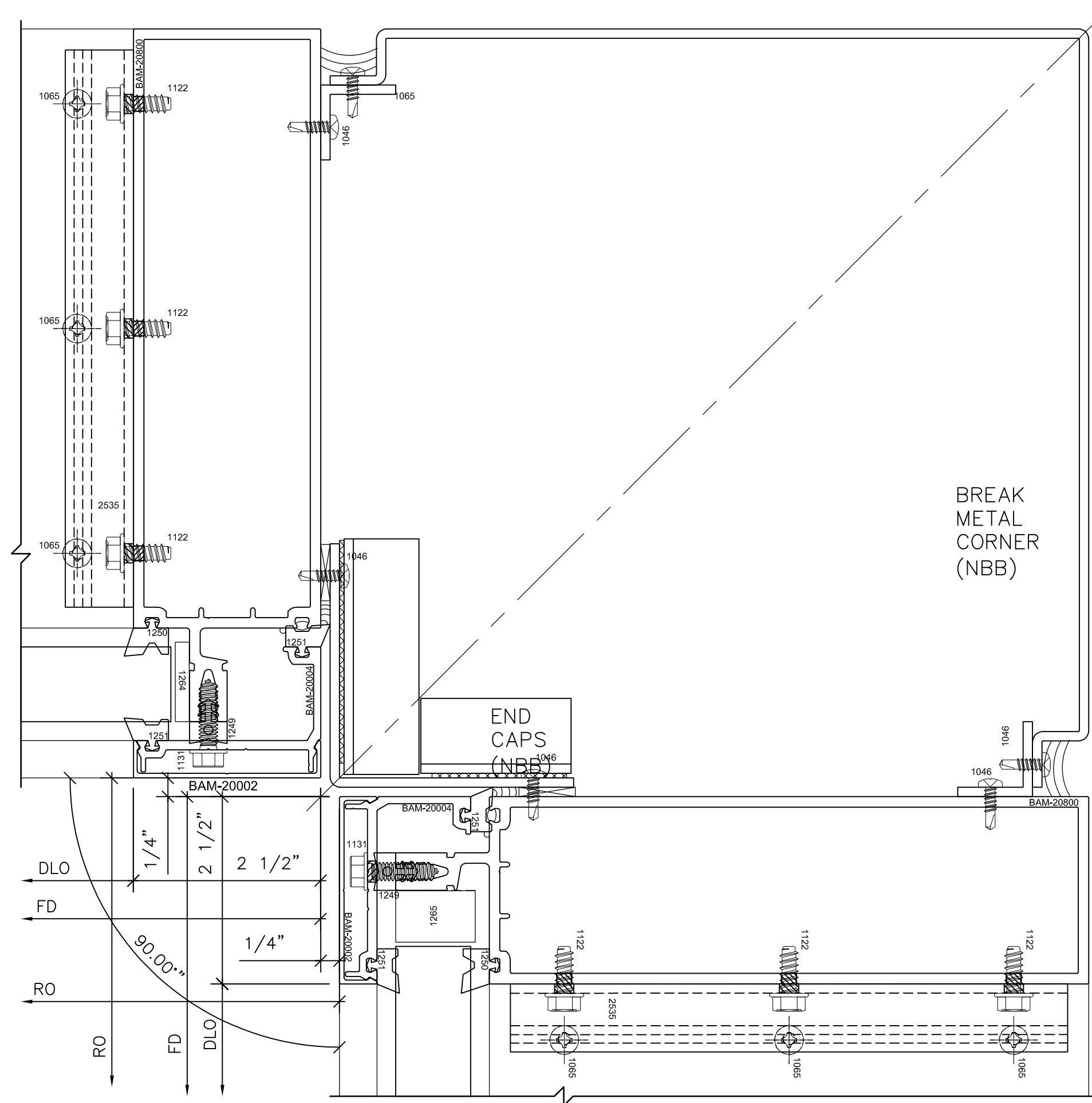
SERIES: B2500 CW
MISC:

NOTE: EXAMPLE
ANCHORS SHOWN.
CONFIRM PROJECT
REQUIREMENTS.
(NBB)

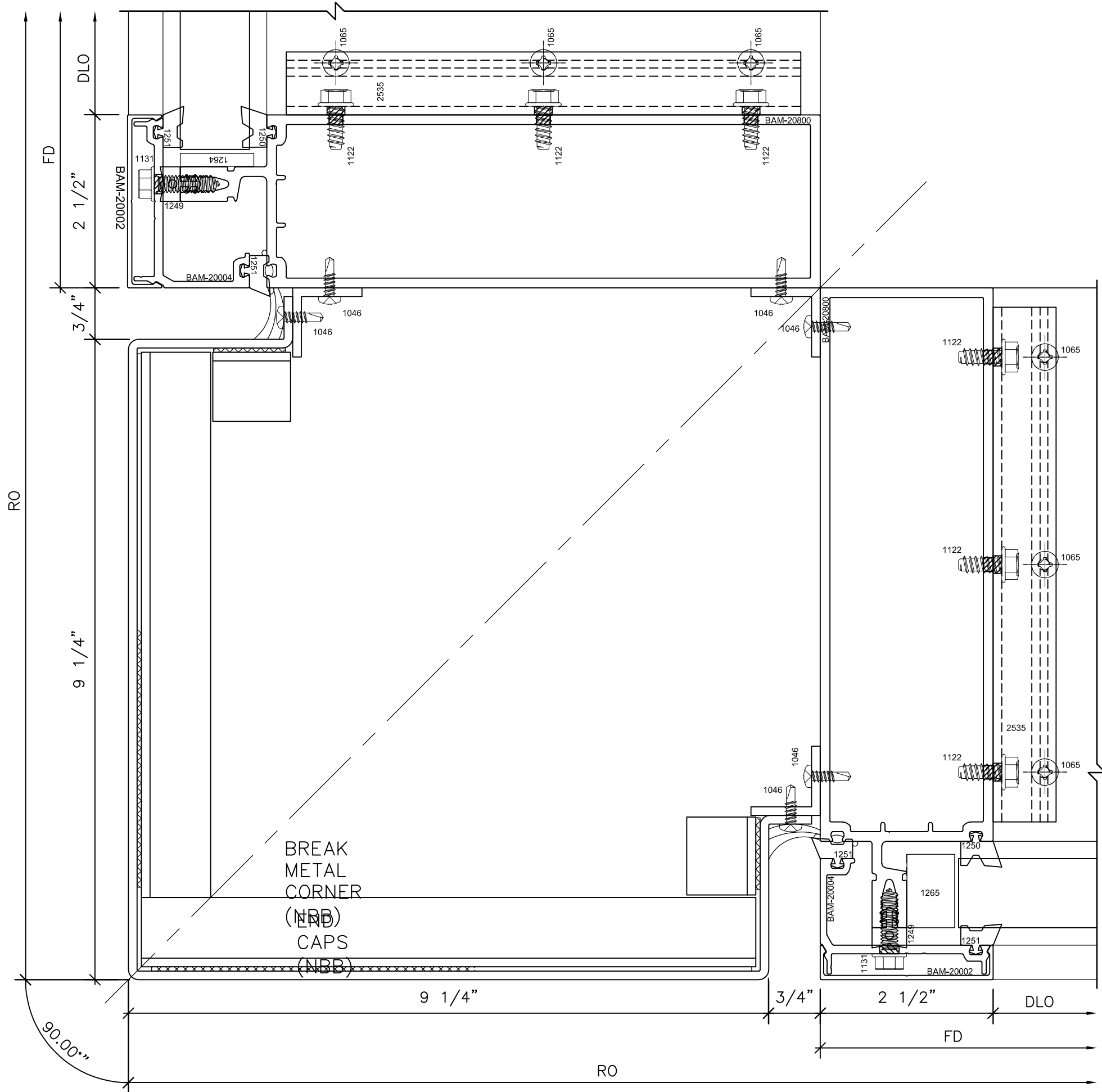


NOTE: EXPOSED FASTENERS
INVERT SHEAR BLOCK AT
HEAD

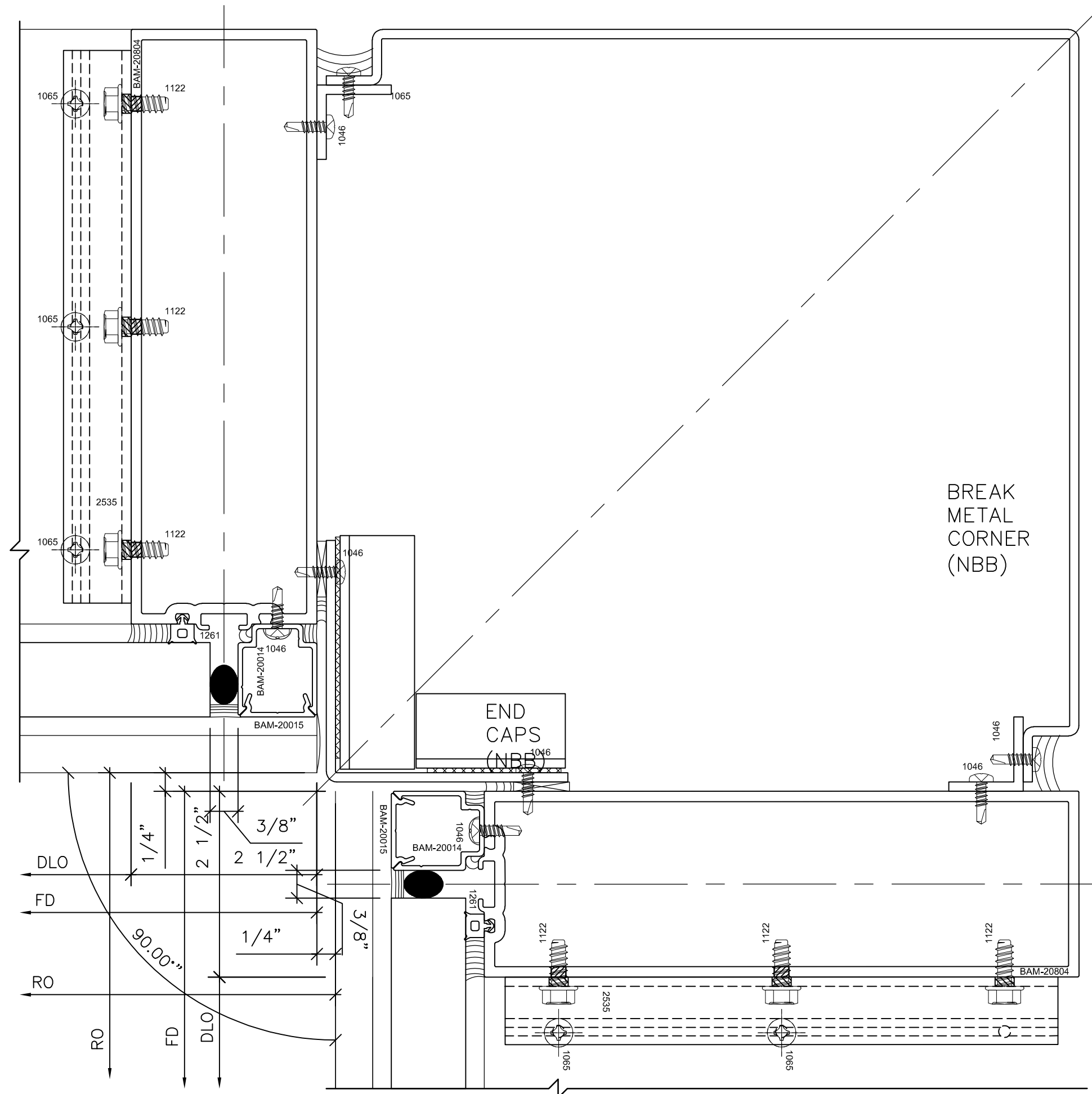
7 CORNER MULL
 SERIES: B2500 CW
 MISC:



6 CORNER MULL
SERIES: B2500 CW
MISC:



7 CORNER MULL
 SERIES: B2500 CW
 MISC:



6 CORNER MULL
SERIES: B2500 CW
MISC:

