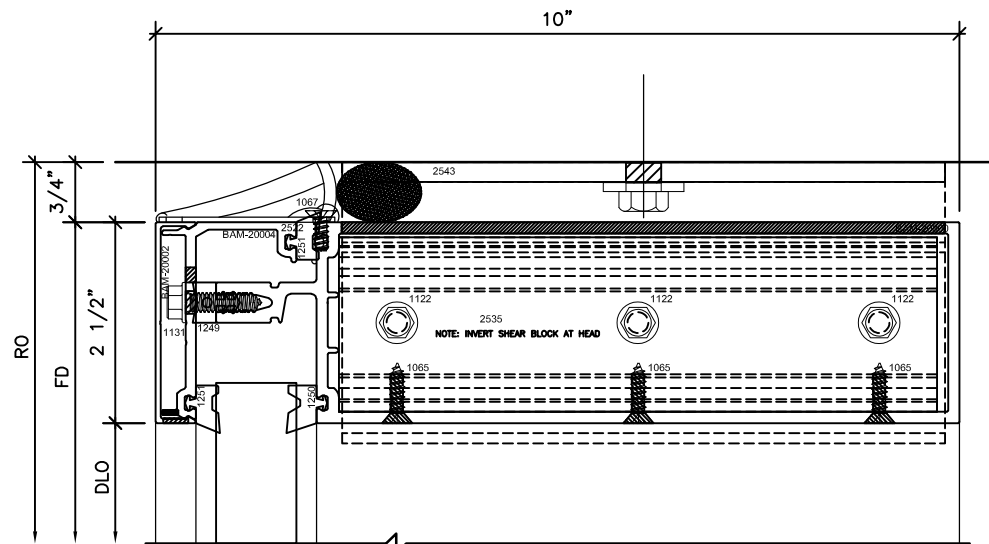
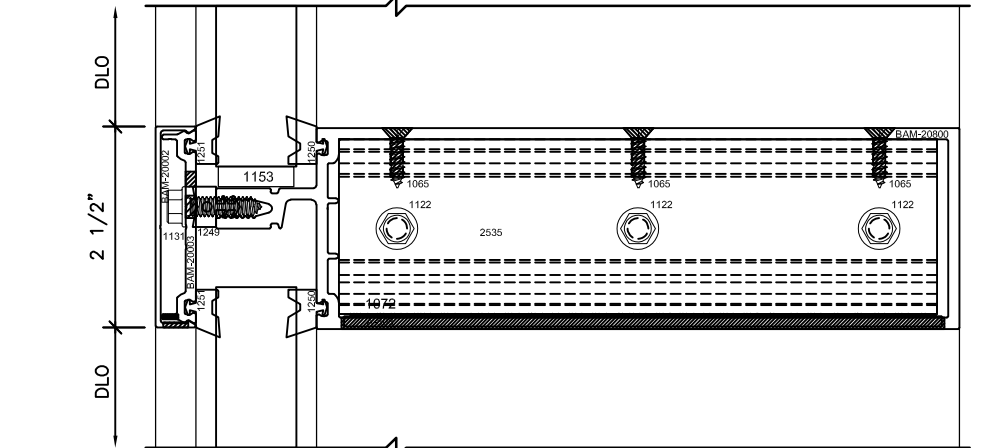


3 HEAD
 SERIES: B2500 CW
 MISC:

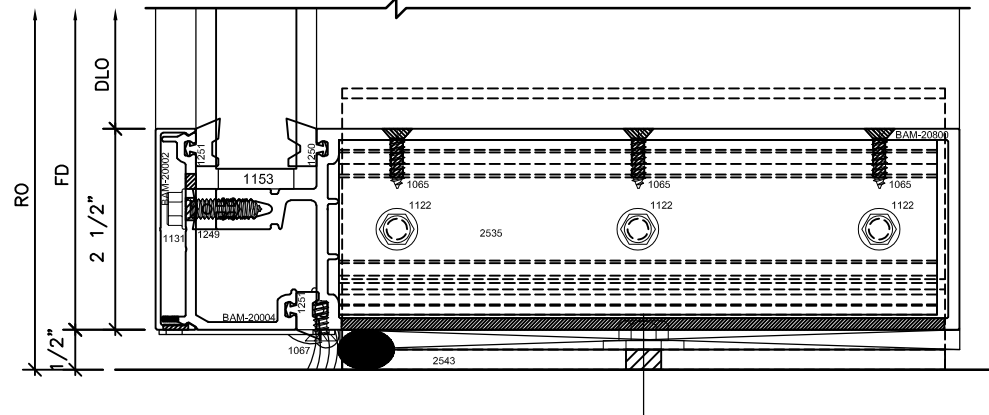


NOTE: EXAMPLE ANCHORS SHOWN. CONFIRM PROJECT REQUIREMENTS. (NBB)

2 HORIZ
 SERIES: B2500 CW
 MISC:

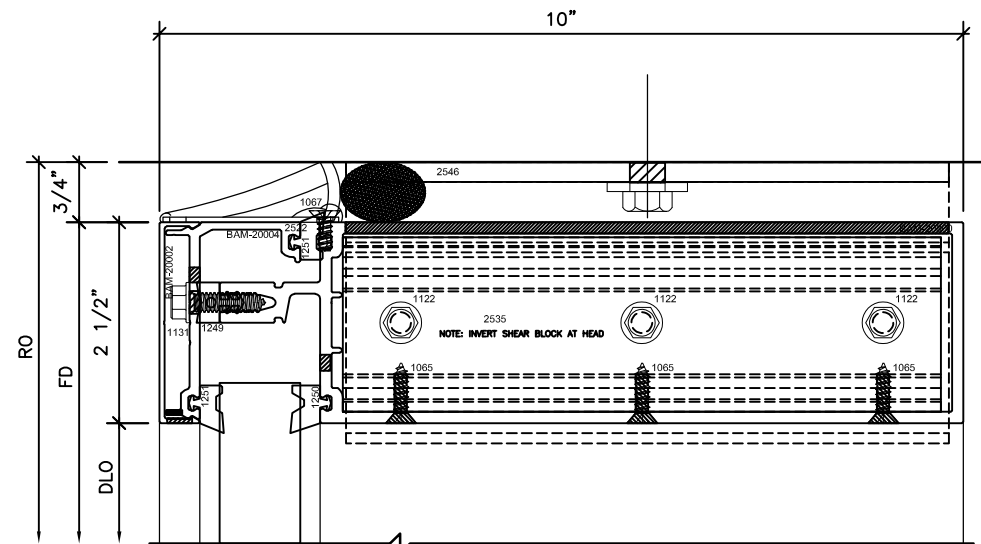


1 SILL
 SERIES: B2500 CW
 MISC:



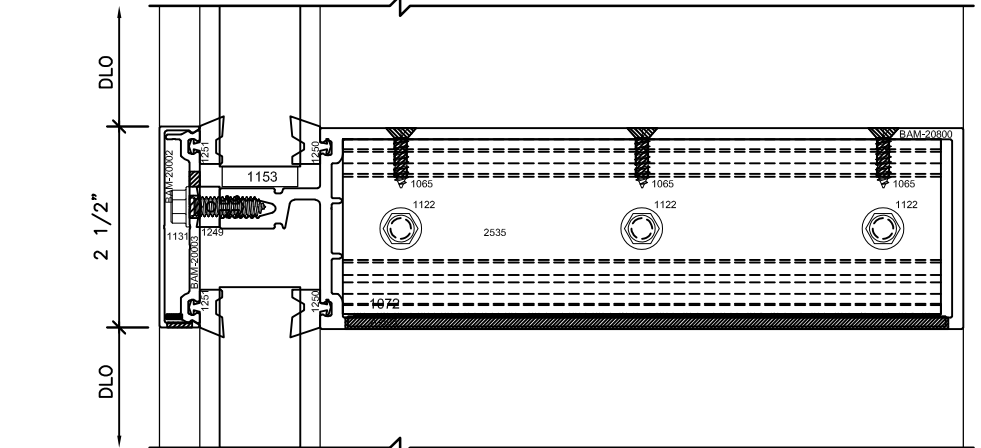
NOTE: EXAMPLE ANCHORS SHOWN. CONFIRM PROJECT REQUIREMENTS. (NBB)

3 HEAD
 SERIES: B2500 CW
 MISC:

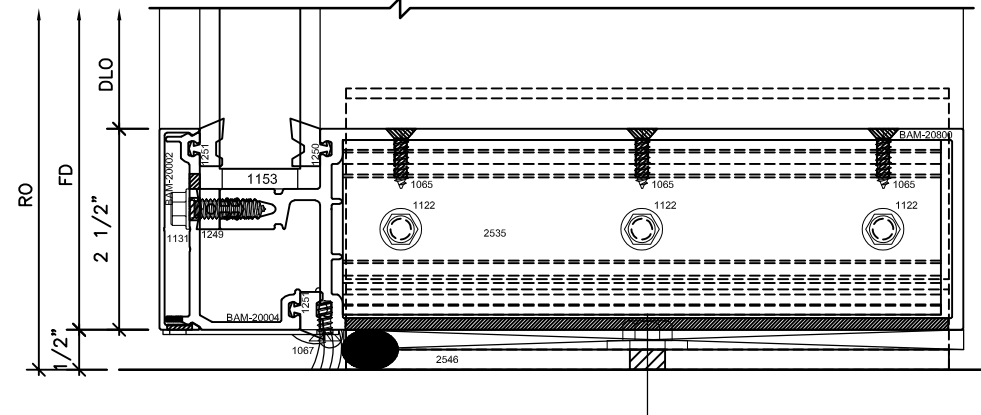


NOTE: EXAMPLE ANCHORS SHOWN. CONFIRM PROJECT REQUIREMENTS. (NBB)

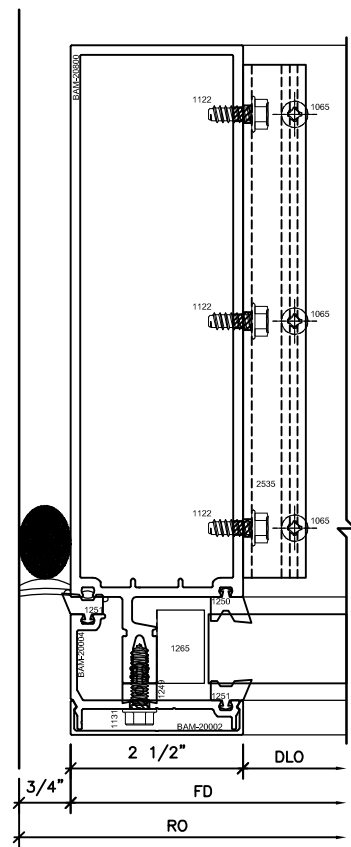
2 HORIZ
 SERIES: B2500 CW
 MISC:



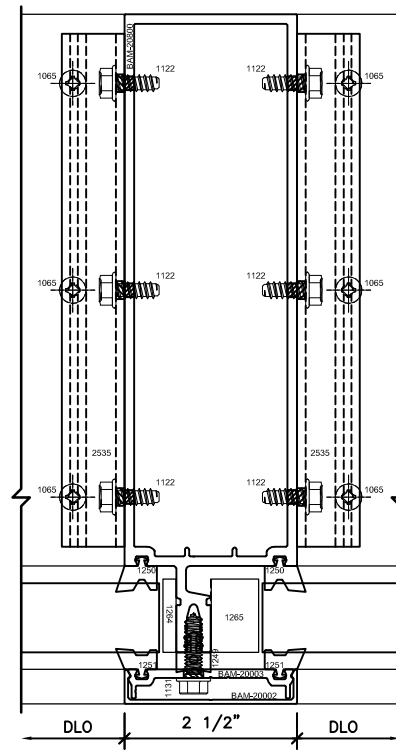
1 SILL
 SERIES: B2500 CW
 MISC:



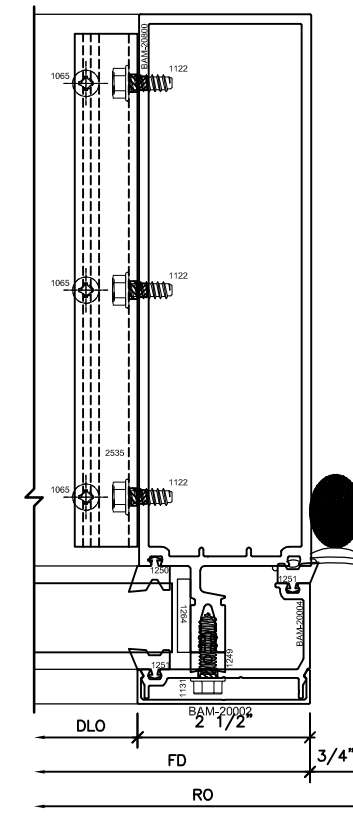
NOTE: EXAMPLE ANCHORS SHOWN. CONFIRM PROJECT REQUIREMENTS. (NBB)



4 JAMB
 SERIES: B2500 CW
 MISC:

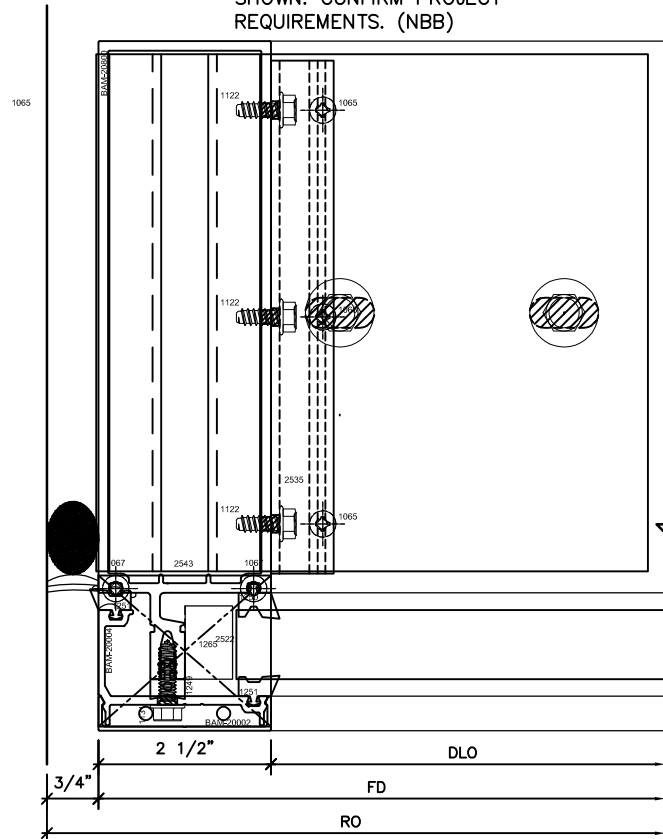


5 MULL
 SERIES: B2500 CW
 MISC:



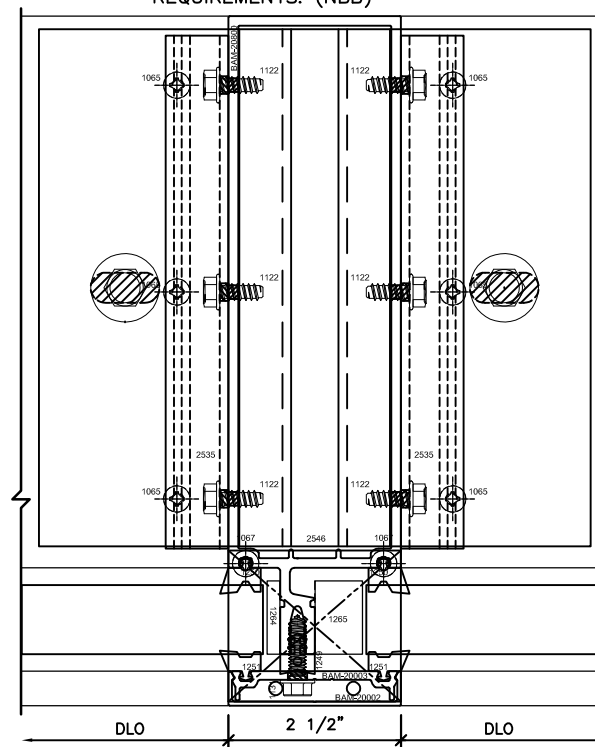
6 JAMB
 SERIES: B2500 CW
 MISC:

NOTE: EXAMPLE ANCHORS SHOWN. CONFIRM PROJECT REQUIREMENTS. (NBB)



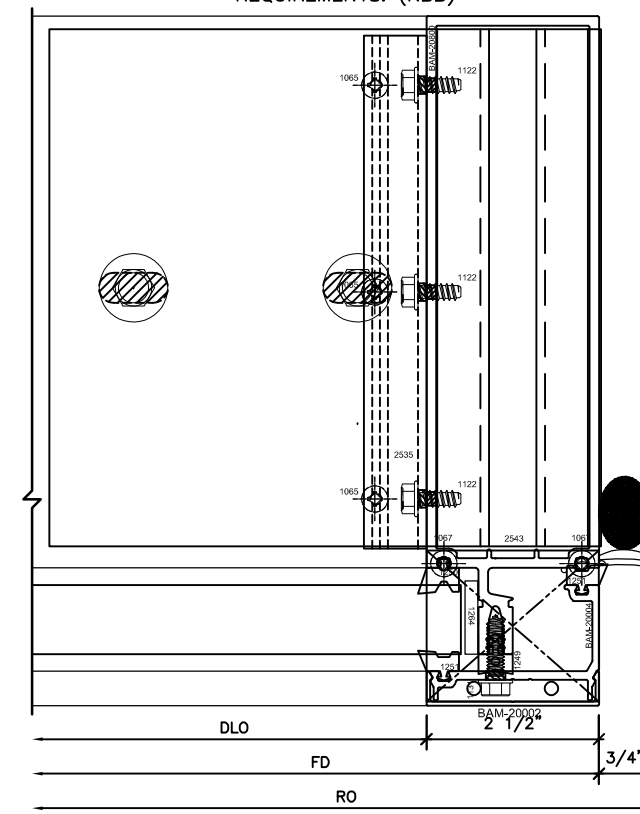
4 JAMB
 SERIES: B2500 CW
 MISC:

NOTE: EXAMPLE ANCHORS SHOWN. CONFIRM PROJECT REQUIREMENTS. (NBB)



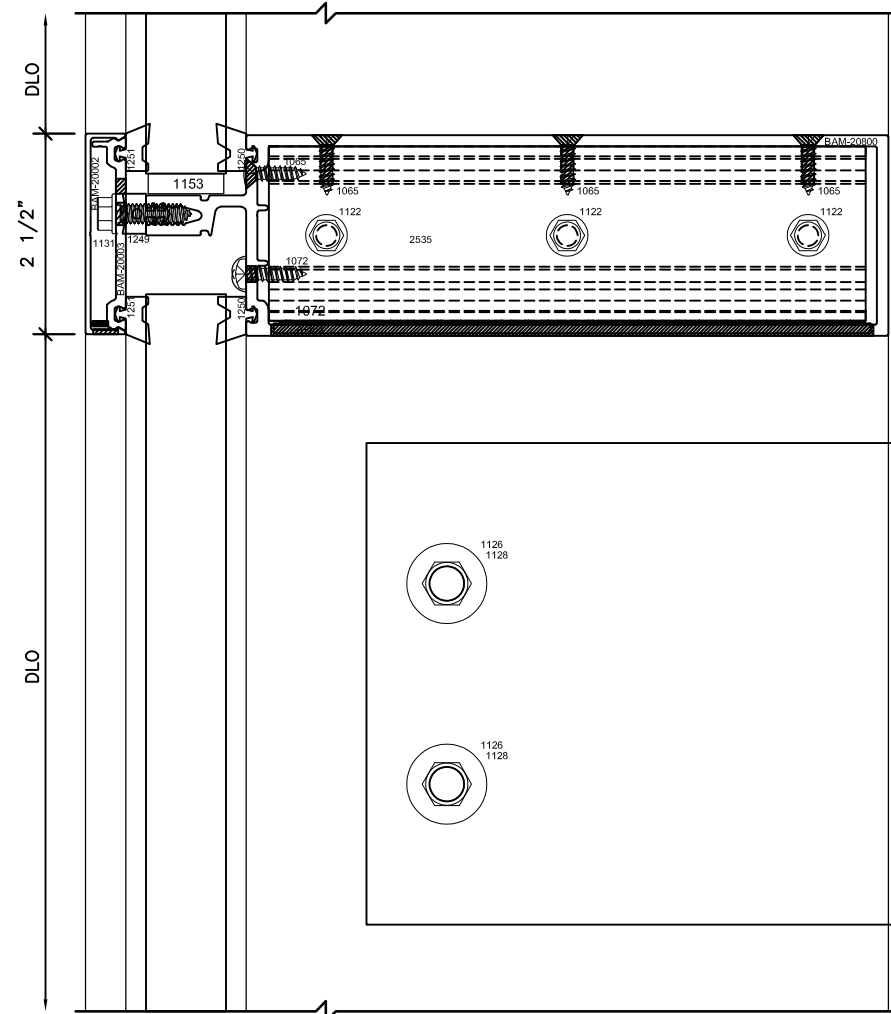
5 MULL
 SERIES: B2500 CW
 MISC:

NOTE: EXAMPLE ANCHORS SHOWN. CONFIRM PROJECT REQUIREMENTS. (NBB)



6 JAMB
 SERIES: B2500 CW
 MISC:

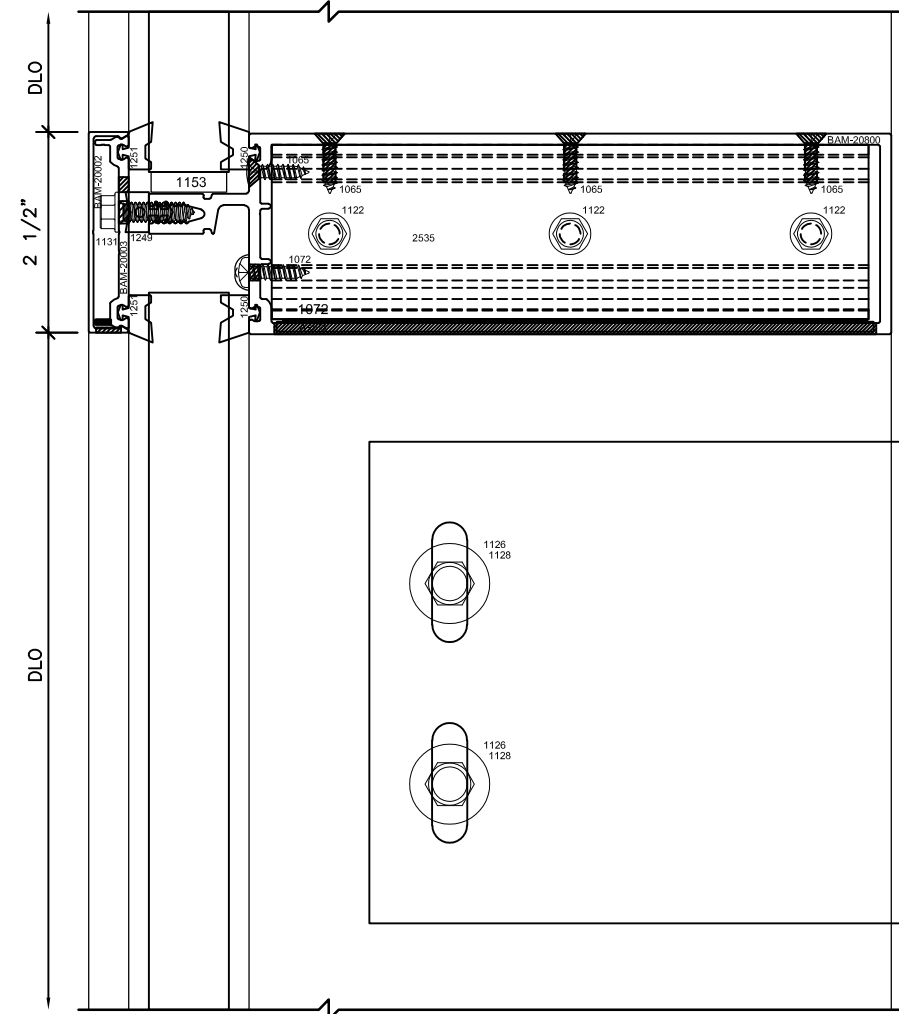
3 **HORIZ**
SERIES: B2500 CW
MISC:



2 **DEAD LOAD ANCHOR**
SERIES: B2500 CW
MISC:

NOTE: EXAMPLE ANCHORS SHOWN. CONFIRM PROJECT REQUIREMENTS. (NBB)

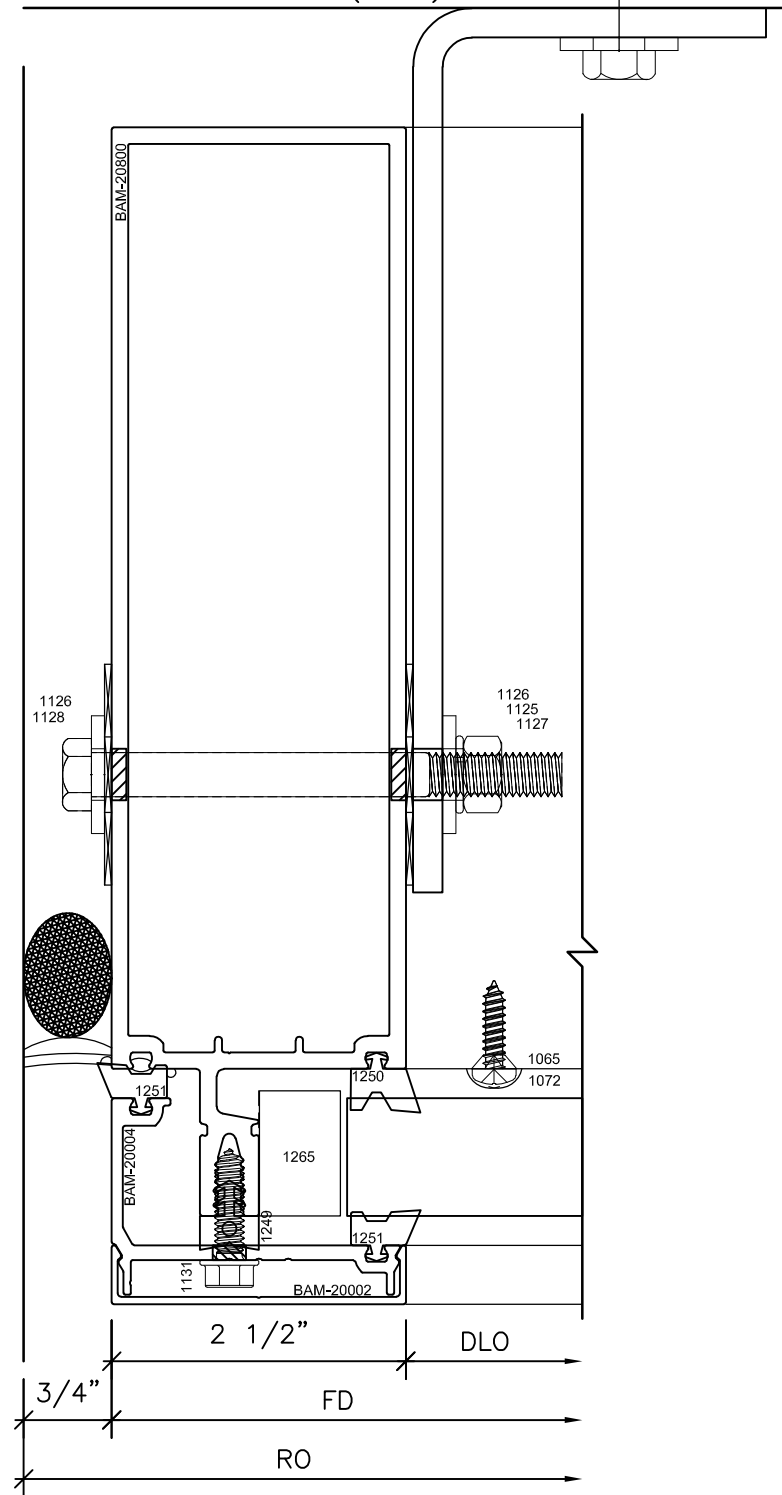
3 **HORIZ**
SERIES: B2500 CW
MISC:



2 **WIND LOAD ANCHOR**
SERIES: B2500 CW
MISC:

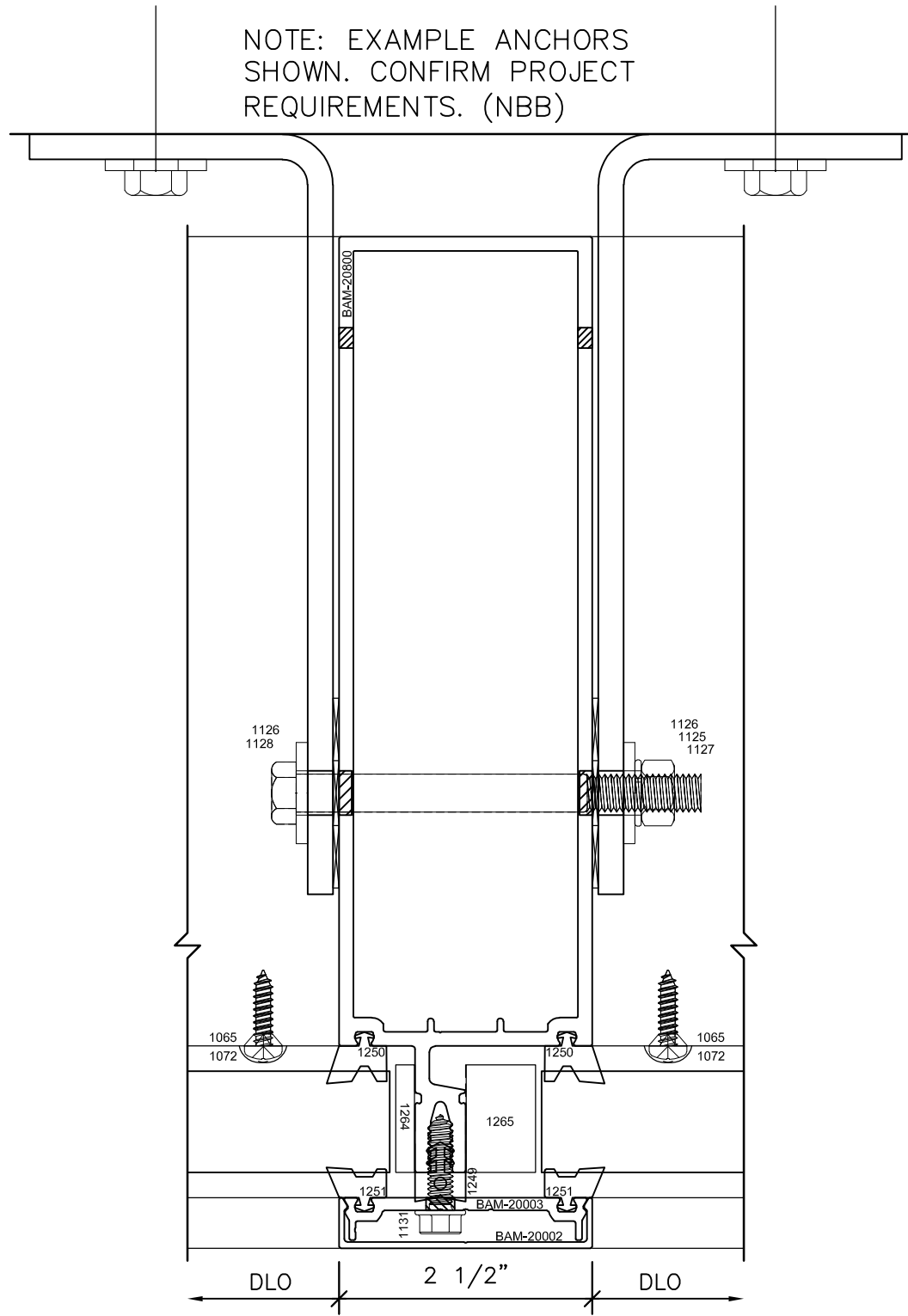
NOTE: EXAMPLE ANCHORS SHOWN. CONFIRM PROJECT REQUIREMENTS. (NBB)

NOTE: EXAMPLE ANCHORS
SHOWN. CONFIRM PROJECT
REQUIREMENTS. (NBB)



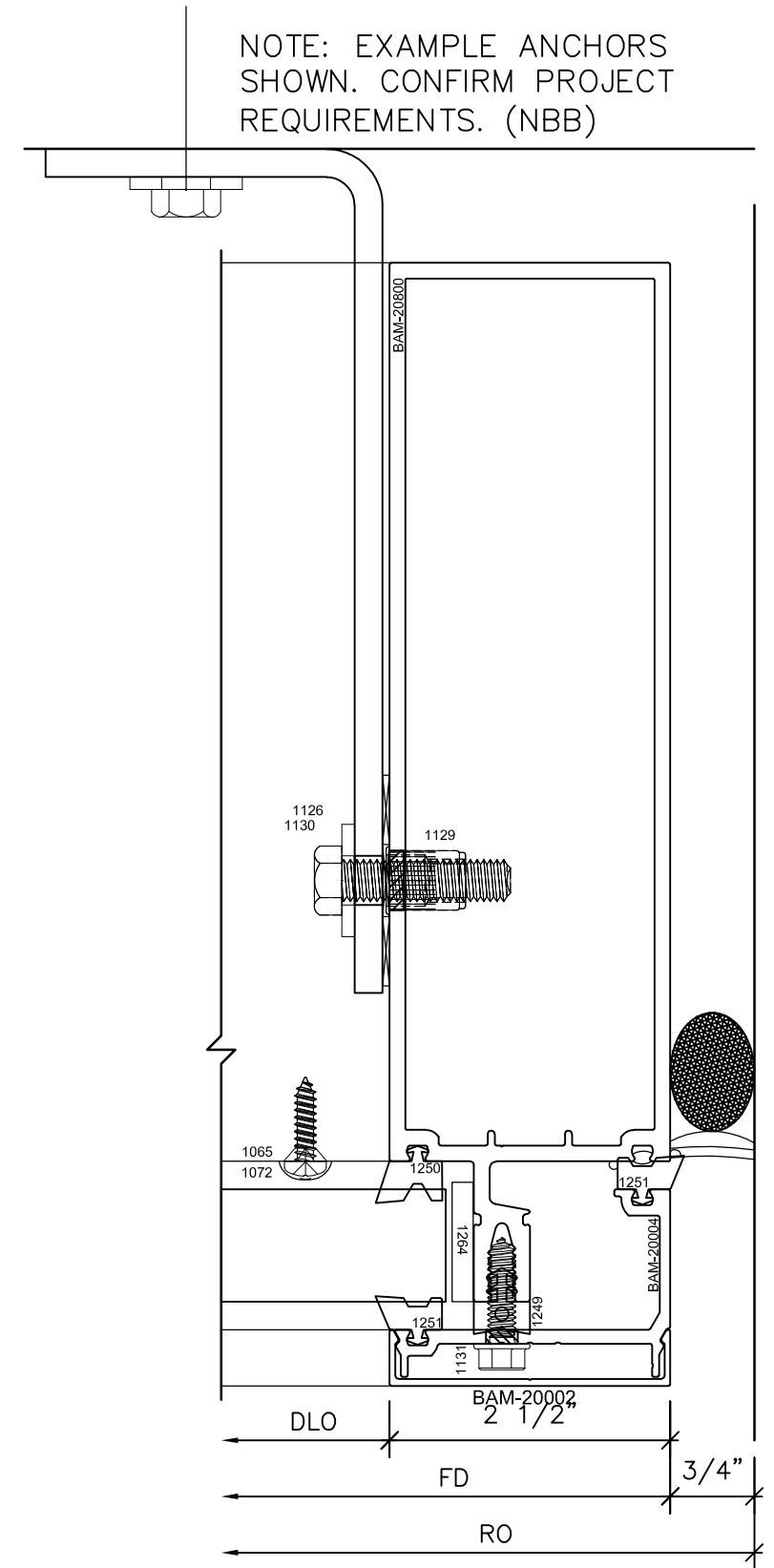
4 JAMB
SERIES: B2500 CW
MISC:

NOTE: EXAMPLE ANCHORS
SHOWN. CONFIRM PROJECT
REQUIREMENTS. (NBB)



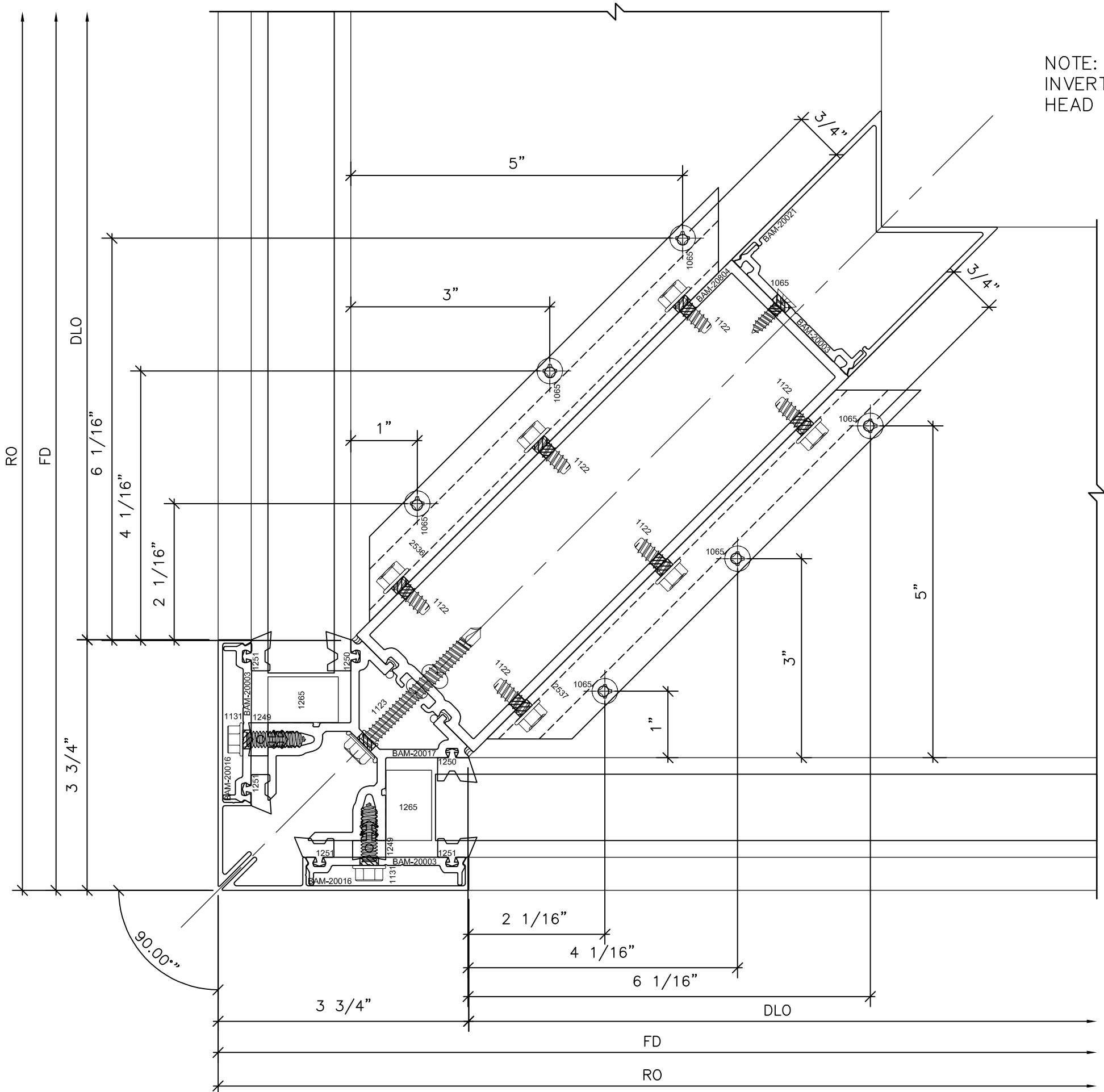
5 MULL
SERIES: B2500 CW
MISC:

NOTE: EXAMPLE ANCHORS
SHOWN. CONFIRM PROJECT
REQUIREMENTS. (NBB)



6 JAMB
SERIES: B2500 CW
MISC:

NOTE: EXPOSED FASTENERS
INVERT SHEAR BLOCK AT
HEAD



5 CORNER MULL
 SERIES: B2500 CW
 MISC:

RO
 FD
 DLO
 6 1/16"
 4 1/16"
 2 1/16"
 3 3/4"

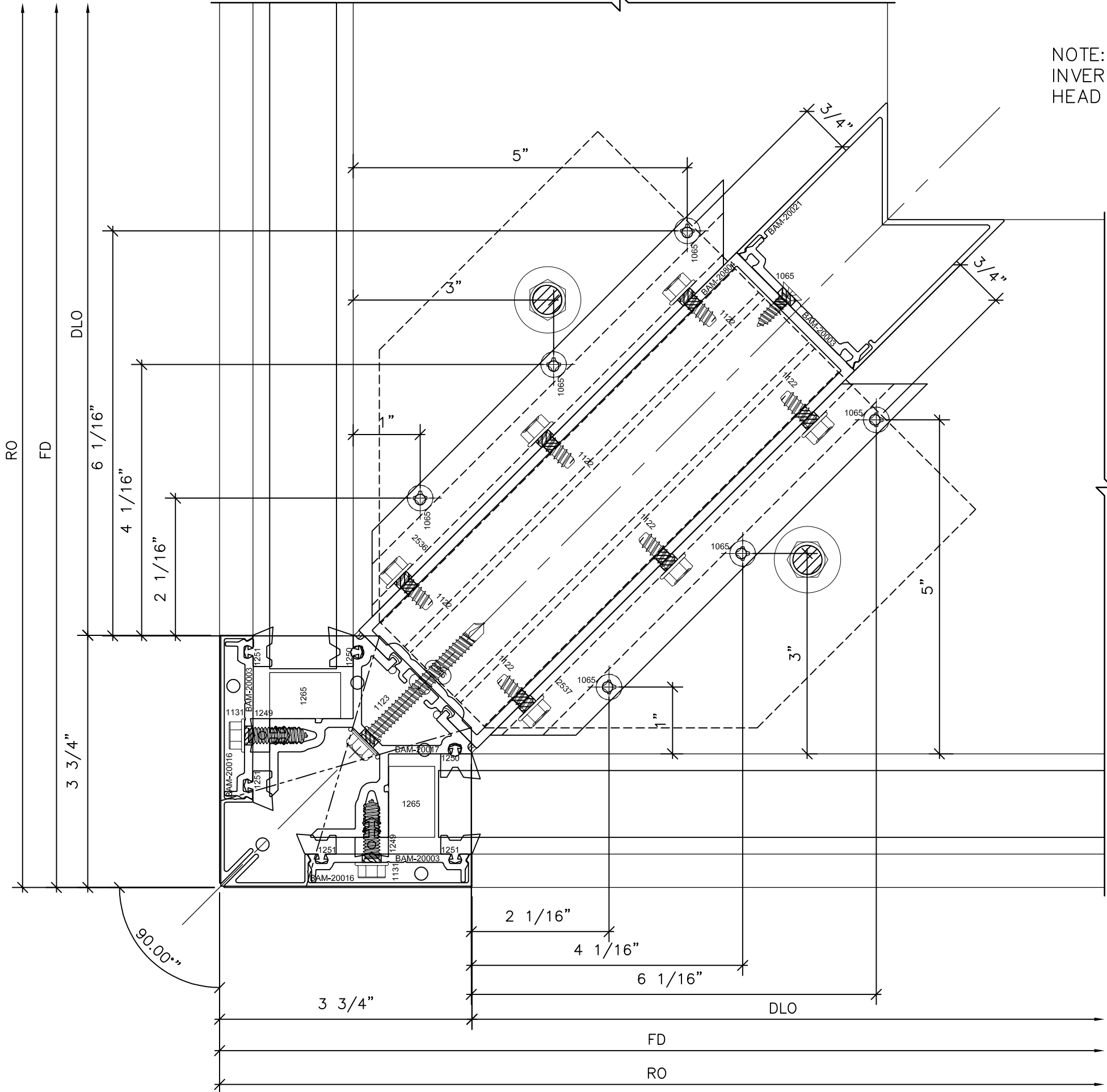
3 3/4"
 2 1/16"
 4 1/16"
 6 1/16"
 DLO
 FD
 RO

90.00°

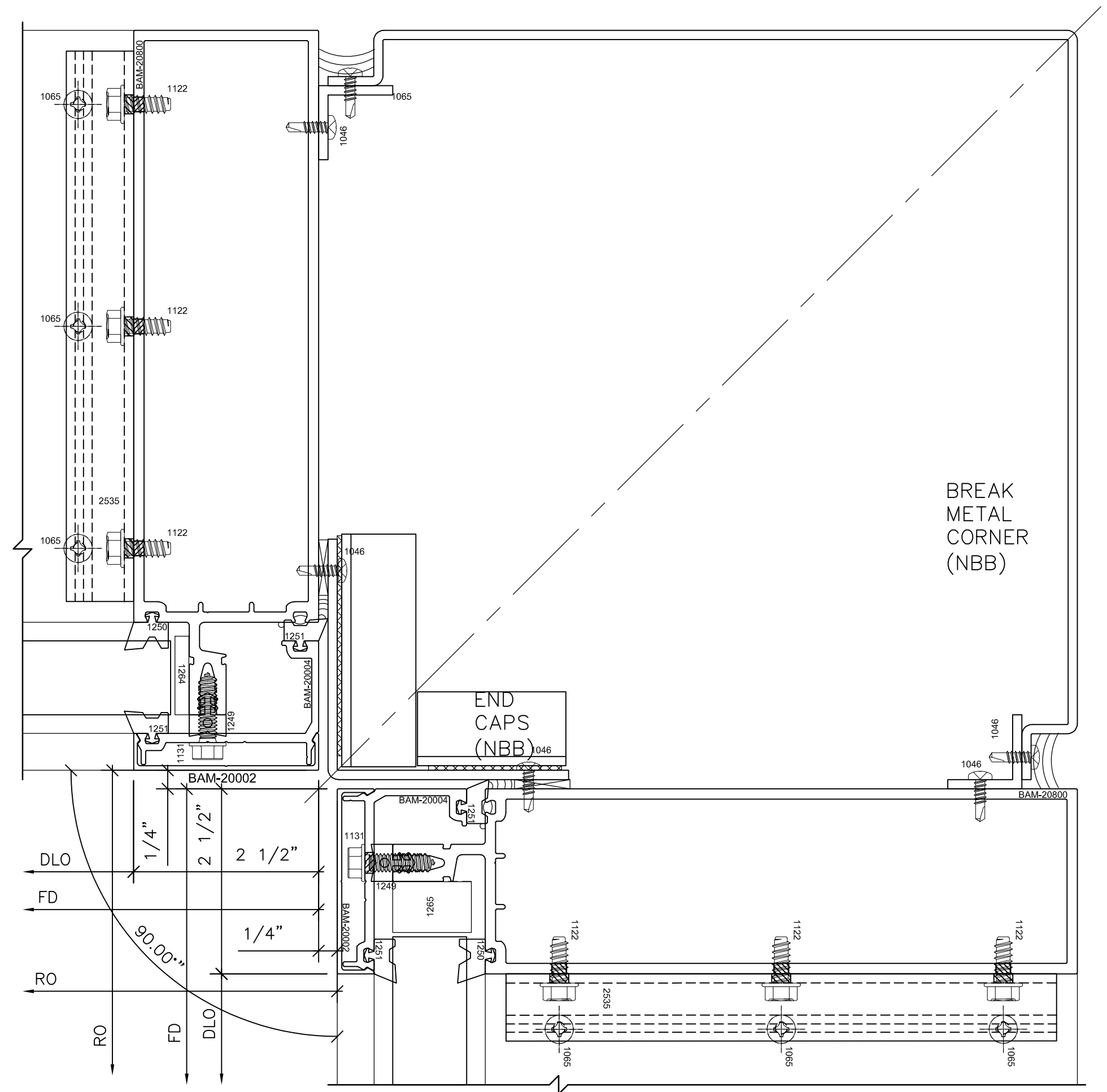
NOTE: EXPOSED FASTENERS
INVERT SHEAR BLOCK AT
HEAD

4 CORNER MULL
SERIES: B2500 CW
MISC:

NOTE: EXAMPLE ANCHORS
SHOWN. CONFIRM PROJECT
REQUIREMENTS. (NBB)



7 CORNER MULL
 SERIES: B2500 CW
 MISC:



6 CORNER MULL
 SERIES: B2500 CW
 MISC:

